

THE UTOPIA Deluxe Garden Bar

Fitting Instructions



Component List

Supporting Frame

2 x Bar Front 3x3 Posts 2100mm	(A)
1 x Bar Front Roof Support 4x2 1800mm	(B)
1 x Bar Front Floor Support 2x2 1660mm	(C)
1 x Bar Front Bar Support 3x2 1660mm	(D)
2 x Angled/Profiled Decorative Supports 200mm	(E)
1 x Front Bar Roof Fascia 6x1 PSE 1850mm	(F)
2 x Corner Angles 57mm x 1130mm	(G)
2 x Bar Rear 3x3 Posts 1935mm	(H)
1 x Bar Rear Roof Support 4x2 1800mm	(I)
1 x Bar Rear Floor Support 2x2 1660mm	(J)
1 x Bar Rear Vertical Support 3x2 1878mm	(K)
1 x Optics Support 9x2 1800mm	(L)
1 x Open Side Bar Support 2x2 290mm	(M)
1 x Open Side Shelf Support 2x2 240mm	(N)
1 x Open Side Vertical Support 2x2 1050mm	(O)
1 x Open Side Floor Support 2x2 1020mm	(P)
1 x Open Side Roof Support Rafter 3x2 1175mm (angled)	(Q)
1 x Open Side Bar Roof Fascia 4x1 PSE (angled)	(R)
2 x Central Roof Support Rafter 3x2 1175mm (angled)	(S)
1 x Roof 1800 x 1220mm OSB	(T)
1 x Felt Roll with fixings	(U)
1 x Closed Side Bar Support 2x2 1020mm	(V1)
1 x Closed Side Shelf Support 2x2 1020mm	(V2)
1 x Closed Side Floor Support 2x2 1020mm	(V3)
1 x Closed Side Roof Support Rafter 3x2 1175mm (angled)	(W)
1 x Closed Side Bar Roof Fascia 4x1 PSE 1170mm (angled)	(X)

PTO

Tools Required:

Drill driver

Pencil

Tape measure

Spirit level

Hand saw

We recommend a minimum of 2 people to assemble this bar.

THE UTOPIA Deluxe Garden Bar

Fitting Instructions

Component List Continued

Cladding

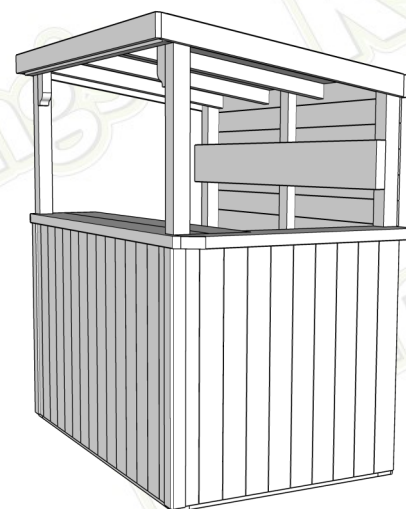
- 15 x Matchboard Rear Wall Cladding 1800mm (Y1)
- 1 x Matchboard Rear Wall Cladding (Ripped) 1800mm (Y2)
- 15 x Matchboard Front Bar Cladding 1130mm (Y3)
- 1 x Matchboard Front Bar Cladding (Ripped) 1130mm (Y4)
- 2 x Matchboard Open Side Cladding 1130mm (Y5)
- 1 x Matchboard Open Side Cladding (Ripped) 1130mm (Y6)
- 10 x Matchboard Closed Side Cladding 1130mm (Y7)
- 2 x Corner Angle 43mm (Y8)

Bar Top

- 1 x Bar Front 8x2 Bar Top Inner 1800mm (Z1)
- 1 x Bar Front 8x2 Bar Top Outer 1800mm (2 Notches) (Z2)
- 1 x Closed Side 8x2 Bar Top 1170mm (2 Notches) (Z3)
- 1 x Infill Capping 390mm (Z4)
- 1 x Bar Front 4x2 Internal Lower Shelf Inner 1800mm (Z5)
- 1 x Bar Front 9x2 Internal Lower Shelf Outer 1800mm (2 Notches) (Z6)
- 1 x Bar Front 4x2 Internal Lower Shelf Support 315mm (Z7)

Fixings

- 68 x 100mm Wood Screws (FIX1)
- 47 x 75mm Green Screws (FIX2)
- 176 x 50mm Green Screws (FIX3)
- 1 x 1kg pack 13mm Clout Nails (FIX4)



Closed Side



Open Side

THE UTOPIA Deluxe Garden Bar

Fitting Instructions



Section 1 — Building the main frame

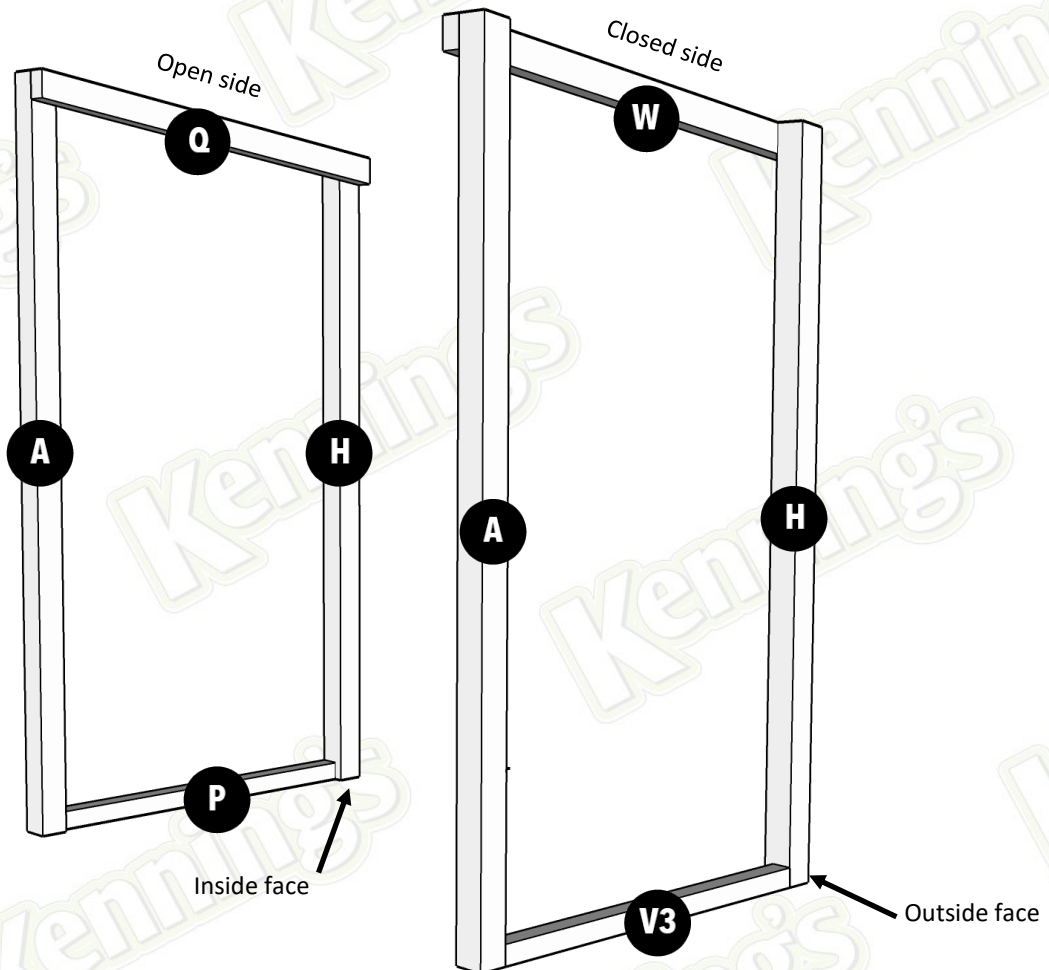
Step 1

Create the closed side frame using the following components: **(A)**, **(H)**, **(V3)**, and **(W)**. Use 2 x 100mm Wood Screws **(FIX1)** per join.

Make sure the angled posts are sloping towards the rear (lower end). Fix Closed Side Floor Support 2x2 1020mm **(V3)** flush with the outside face of the frame, NOT the inside face. Do not fix it centrally. Use 2 x 100mm Wood Screws **(Z1)** per fixing.

Repeat the above using the following components: **(A)**, **(H)**, **(P)**, and **(Q)**, to create the open side frame. Use 2 x 100mm Wood Screws **(FIX1)** per join.

*Note: The Closed Side and Open Side Roof Support Rafters 3x2 1175mm (Angle Cut) **(W)** and **(Q)** need to be fixed to the INSIDE of the frame. See diagram below.*



Remember to check your work with a level as you go!

Page 3 of 11

THE UTOPIA Deluxe Garden Bar

Fitting Instructions



Section 1 — Building the main frame

Step 2

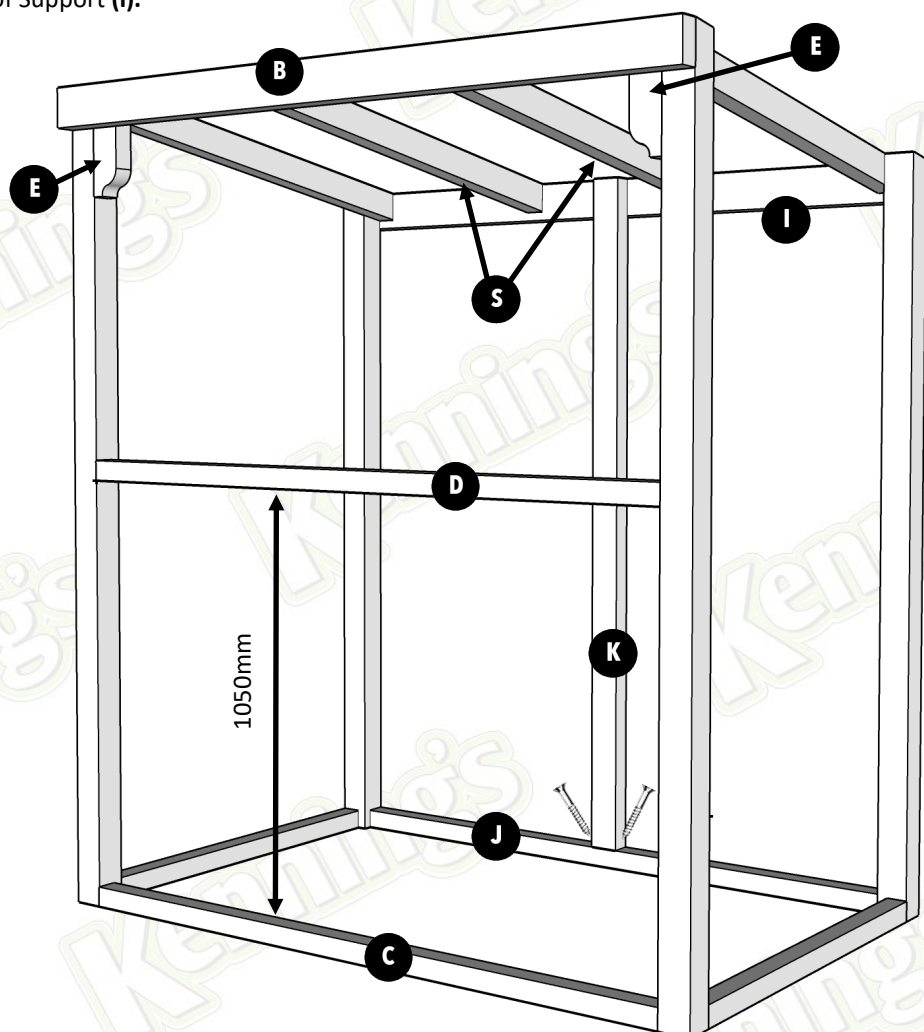
Add the floor and roof supports to the frames created in step 1, using components (B), (C), (I), and (J). Use 2 x 100mm Wood Screws (FIX1) per join. Next, equally space and secure the two central roof support rafters (S) using 4 x 100mm Wood Screws (FIX1) per rafter. Then, fix the Decorative Supports (E) flush in the corners of the bar front frame. From the outside, drive through the bar posts in to the decorative piece, using 2 x 100mm Wood Screws (FIX1) per decorative piece.

At the front of the bar, fix in place the Bar Front Bar Support (D) using 2 x 100mm Wood Screws (FIX1) at both ends.

Please note: the internal measurement to leave between the Front Floor Support (C) and the Front Bar Support (D) is 1050mm.

At the rear of the bar, centrally fix the Rear Vertical Support (K) by driving 2 x 75mm Green Screws (FIX2) at an angle through the bottom of the support, in to the framework.

Use another 2 x 75mm Green Screws (FIX2) to strengthen the top by screwing through the Rear Vertical Support (K) in to the Rear Roof Support (I).



Remember to check your work with a level as you go!

THE UTOPIA Deluxe Garden Bar

Fitting Instructions

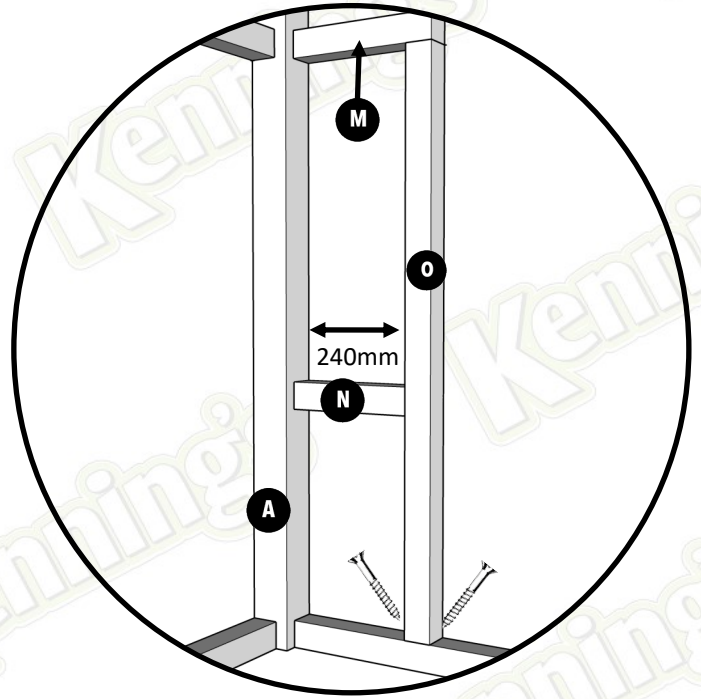
Section 2 — Building the sides

Step 3 (Open side)

Secure the Vertical Support (**O**) by driving 2 x 75mm Green Screws (**FIX2**) at an angle through the bottom of the support in to framework.

*Note: The internal measurement to leave between the Vertical Support (**O**) and the Bar Post (**A**) is 240mm.*

Secure the Bar Support (**M**) flush to the top of the Vertical Support (**O**). Use 2 x 100mm Wood Screws (**FIX1**) at each side. Repeat this for the Shelf Support (**N**). You can fix the shelf at any height you prefer.



Step 4 (Closed side)

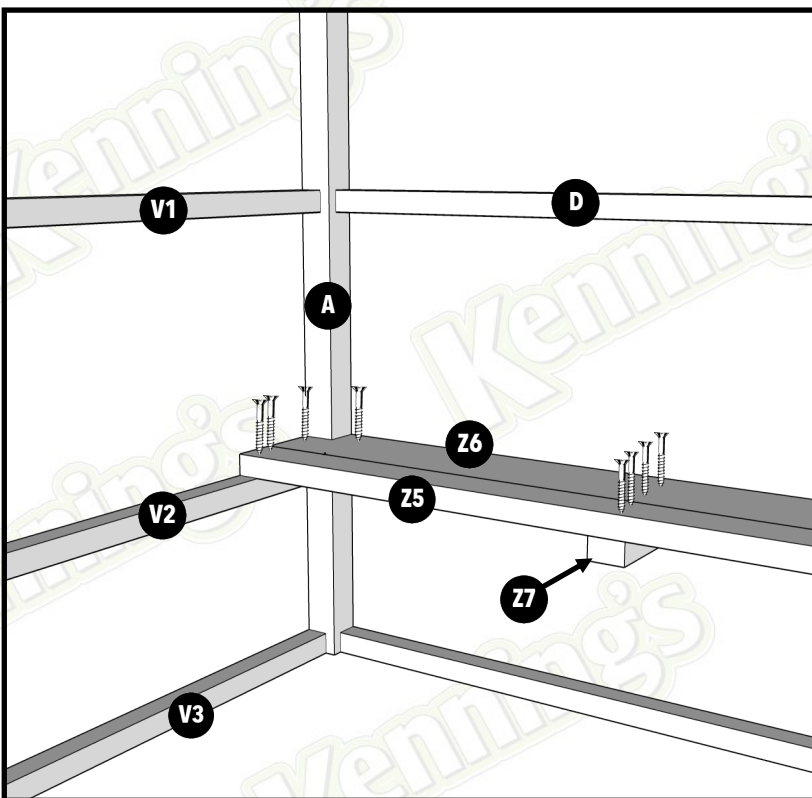
Secure the Bar Support (**V1**) using 2 x 100mm Wood Screws (**FIX1**) at both ends. Secure at the same height as the previously fitted Bar Front Bar Support (**D**) done in step 2.

Note: It is critical these timbers are level as these are the supports for our bar top.

Fix Shelf Support (**V2**) at the same height as the previously fitted Shelf Support (**N**) done in step 3. Use 2 x 100mm Wood Screws (**FIX1**) at each end.

Using components (**Z5**) and (**Z6**), use Lower Shelf Support (**Z7**) to join them together using 4 x 75mm Green Screws (**FIX2**) as shown to left.

Using the shelf supports previously fitted, lay the shelf in place on top of the supports and use 8 x 75mm Green Screws (**FIX2**) to secure each side.



Remember to check your work with a level as you go!

Page 5 of 11

THE UTOPIA Deluxe Garden Bar

Fitting Instructions

Kennings

Section 3 – Bar top & cladding

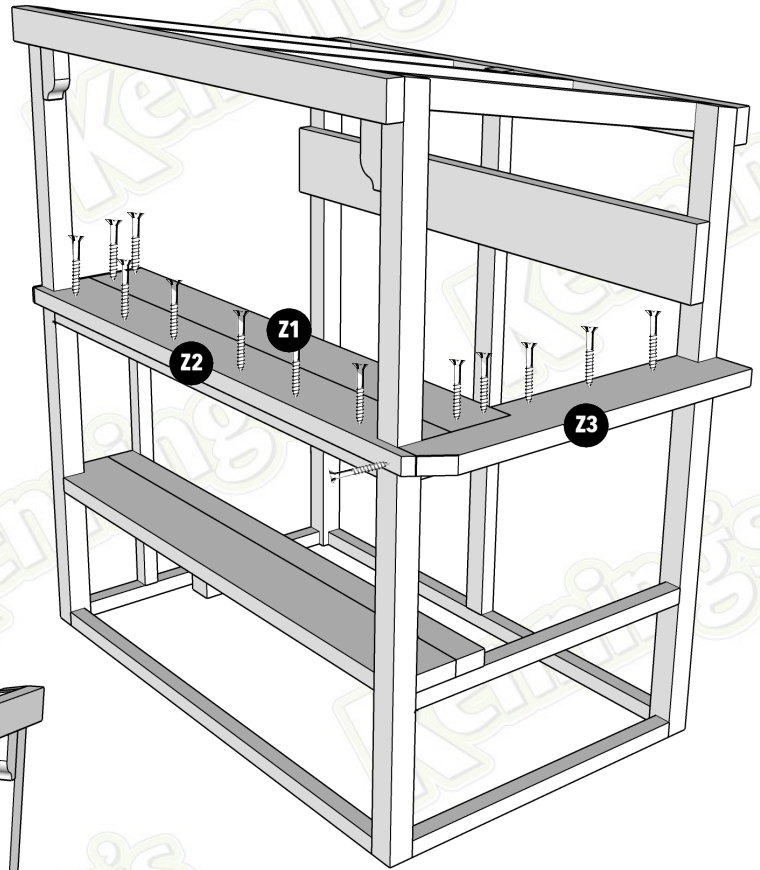
Step 5

Refer to the diagrams before starting Step 5.

Slot the Closed Side Bar Top (**Z3**) in to place using the notched out areas to fit around the Posts as a guide. Secure with 3 x 75mm Green Screws (**FIX2**) in to Bar Support (**V1**).

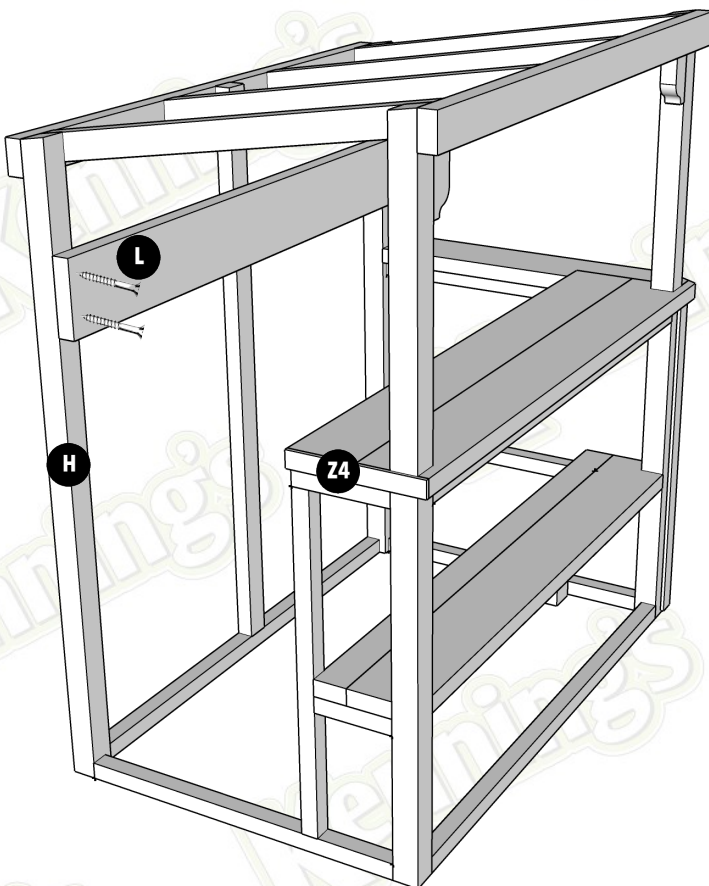
Then fix Bar Front Outer (**Z2**) to the front of the bar and secure using 6 x 75mm Green Screws (**FIX2**), in to Front Bar Support (**D**). Fill the vacant space using Bar Front Inner (**Z1**), securing with 4 x 75mm Green Screws (**FIX2**).

Secure (**Z2**) to (**Z3**) by screwing 1 x 50mm Green Screw (**FIX3**) on the right hand side of the bar, around the bar front post (**A**).



Cap off the open side using Infill Capping (**Z4**) to give a neat finish, using 2 x 50mm Green Screws (**FIX3**).

Attach the Optics Support (**L**) to the rear of the bar at your preferred height. Fix to the Rear Posts (**H**) using 2 x 100mm Wood Screws (**FIX1**) at each end.



Remember to check your work with a level as you go!

Page 6 of 11

THE UTOPIA Deluxe Garden Bar

Fitting Instructions



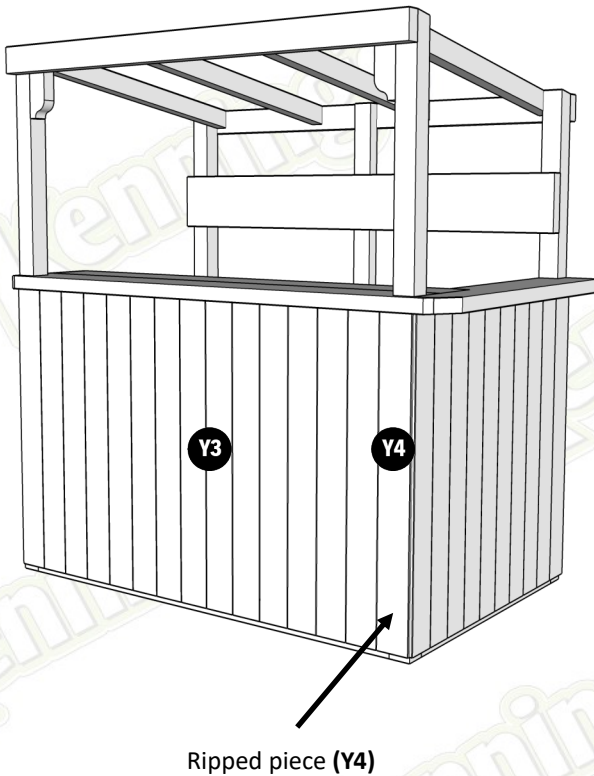
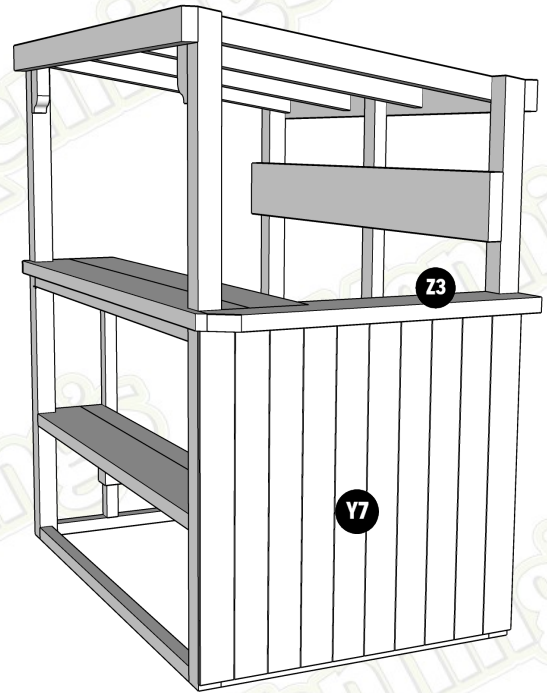
Section 3 – Bar top & cladding

Step 6

Note: 3 x 50mm Green Screws (FIX3) are used to secure each piece of matchboard cladding.

Starting with the closed side, line up 1 x Matchboard Closed Side Cladding 1130mm (Y7) with the rear post and vertically secure with 3 x 50mm Green Screws (FIX3). Fit the cladding flush up to the bar top (Z3). This will leave a small gap between the bottom of the cladding and the floor. Continue this with the remaining pieces of cladding (Y7), working right to left, until the closed side is fully cladded.

Following on from the closed side to the front, use 1 x Matchboard Front Bar Cladding (Ripped) 1130mm (Y4) to start the sequence for the front of the bar. Continue cladding the front with Matchboard Front Bar Cladding 1130mm (Y3), working right to left.



Before cladding the open side of the bar, take one Corner Angle 1130mm (G), and screw in place using 2 x 50mm Green Screws (FIX3) at the top, and another 2 x (FIX3) at the bottom. The corner angle will sit over the top of the front cladding, but sit flush with the open side cladding.



Remember to check your work with a level as you go!

Page 7 of 11

THE UTOPIA Deluxe Garden Bar

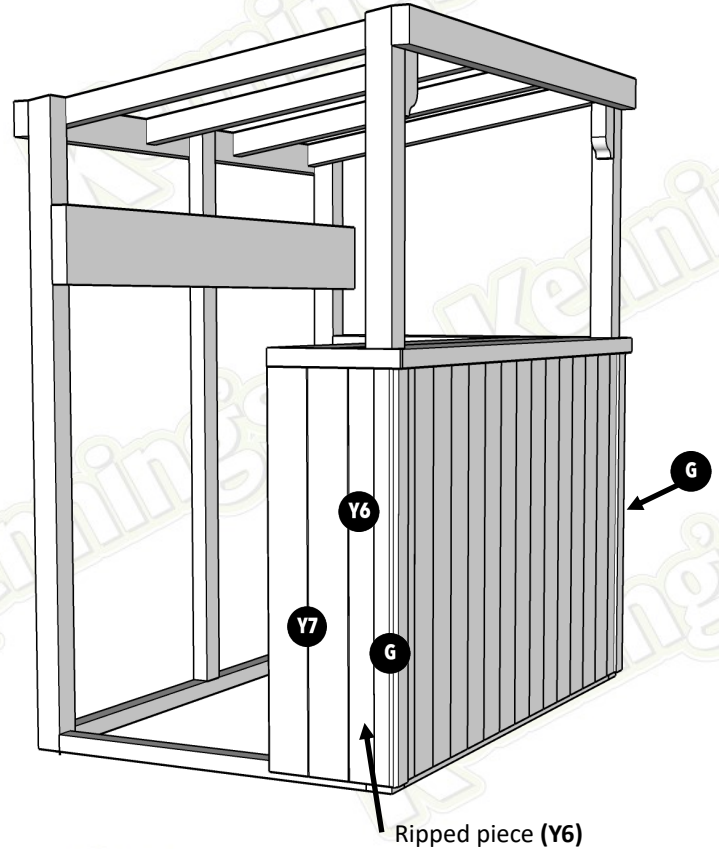
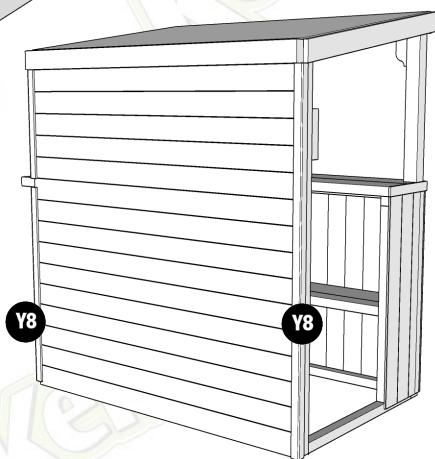
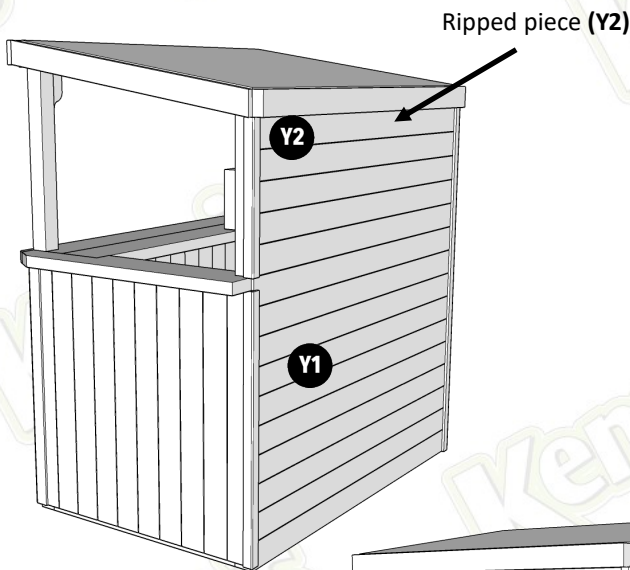
Fitting Instructions

Section 3 – Bar top & cladding

Step 6 Continued

Now, following on from the front, butt up 1 x Matchboard Open Side Cladding (Ripped) 1130mm (**Y6**) flush with the corner angle (**G**) and screw in place. Clad with the remaining 2 pieces of Matchboard Open Side Cladding 1130mm (**Y5**), to complete the open side cladding.

Finally, fit the second Corner Angle 1130mm (**G**) against the opposite front side corner. This corner angle sits on top of the front, and the closed side cladding.



To clad the rear of the bar, take 1 x Matchboard Rear Wall Cladding 1800mm (**Y1**), and fix this horizontally across the bottom of the rear of the bar. Use 3 x 50mm Green Screws (**FIX3**).

Continue to interlock the remaining cladding boards (**Y1**) until all the remaining pieces are used. Use 1 x Matchboard Rear Wall Cladding (Ripped) 1800mm (**Y2**) to fill the small gap at the top.

Next, take the 2 x Corner Angles 43mm (**Y8**) and screw in to place on the rear of the bar using 8 x 50mm screws (**FIX3**).

You will need to measure and cut one of the lengths using a handsaw, to fit on the open side above and below the bar top.

Remember to check your work with a level as you go!

Page 8 of 11

THE UTOPIA Deluxe Garden Bar

Fitting Instructions



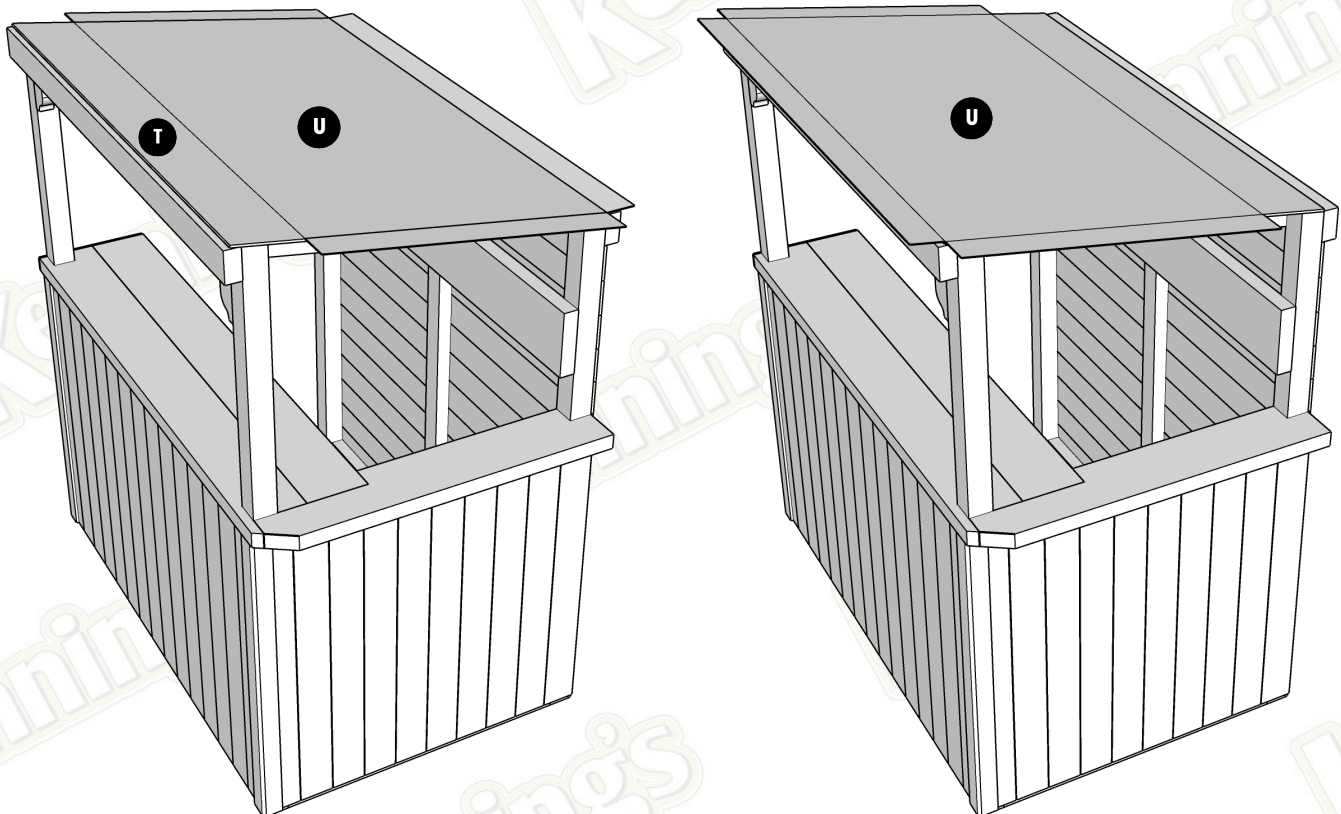
Section 3 — Fitting the roof

Step 7

Fix the OSB Roof 1800 x 1220mm (**T**), to the roof rafters using 4 x 50mm Green Screws (**FIX3**) per rafter. Position the OSB centrally in relation to the front and back. It will not be flush to either end.

Cut two 2m x 1m strips from the Felt Roll (**U**) and place on to the rear of the OSB board. Leave an overhang of approximately 100mm on the rear, the left and right sides. Use the Clout Nails (**FIX4**) to tack along the top and bottom line of the felt into the OSB, and along the three overhangs. Repeat this for the second strip of Felt Roll, which is to be fitted to the front, overlapping the bottom piece you have just laid.

Remember to leave an overhang of approximately 100mm at the front, left and right sides. This will be covered by fascia's to be fitted later.



Remember to check your work with a level as you go!

Page 9 of 11

THE UTOPIA Deluxe Garden Bar

Fitting Instructions

Kennings

Section 3 — Fitting the roof

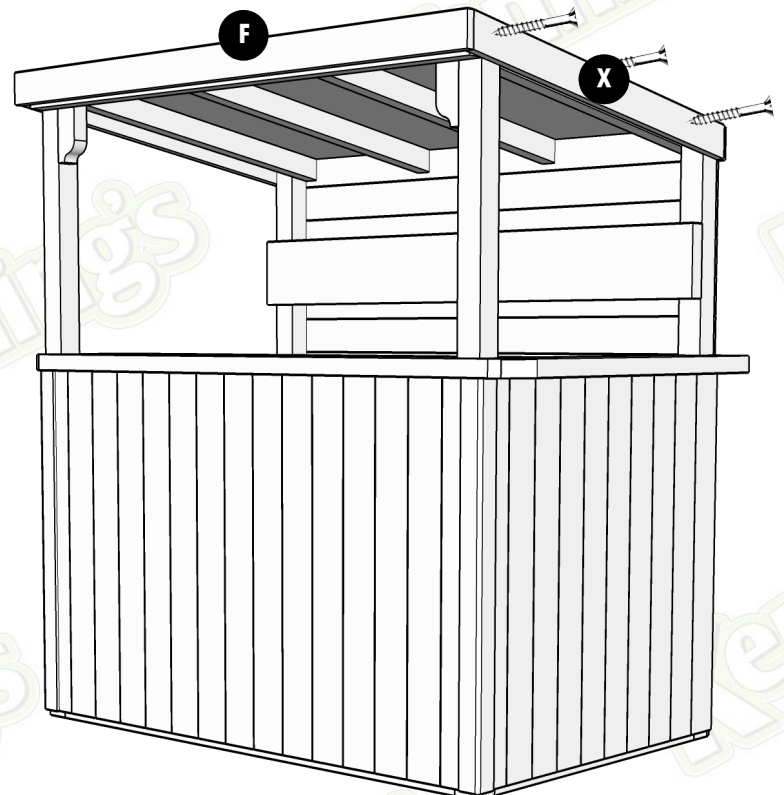
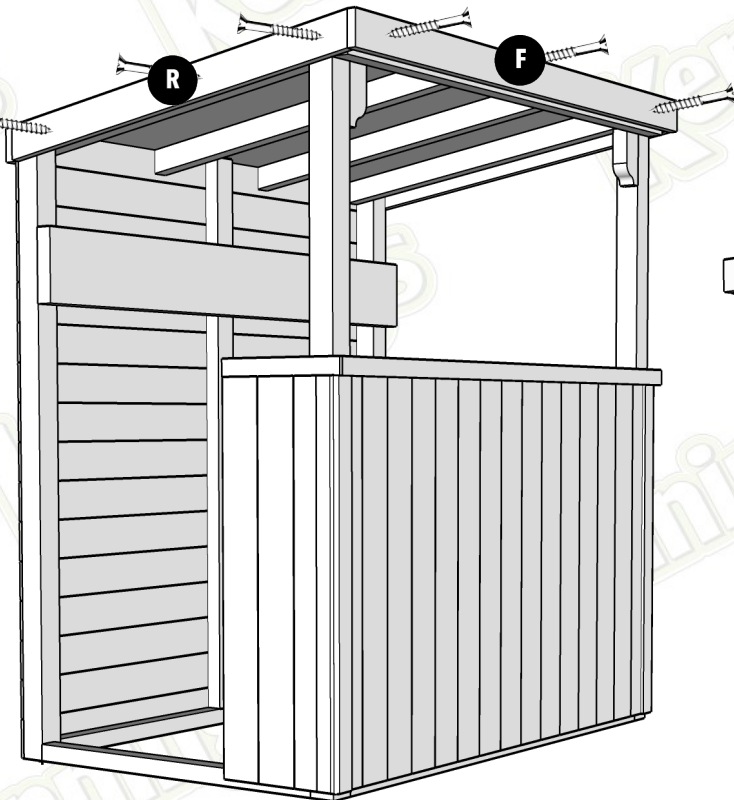
Step 7 Continued

To hide the overhangs of the felt, screw the Front Bar Roof Fascia 6x1 PSE 1850mm (**F**) over the felt using 3 x 50mm Green Screws (**FIX3**) at each end.

Repeat this step on the two sides using:

1 x Open Side Bar Roof Fascia 4x1 PSE 1170mm (**R**)

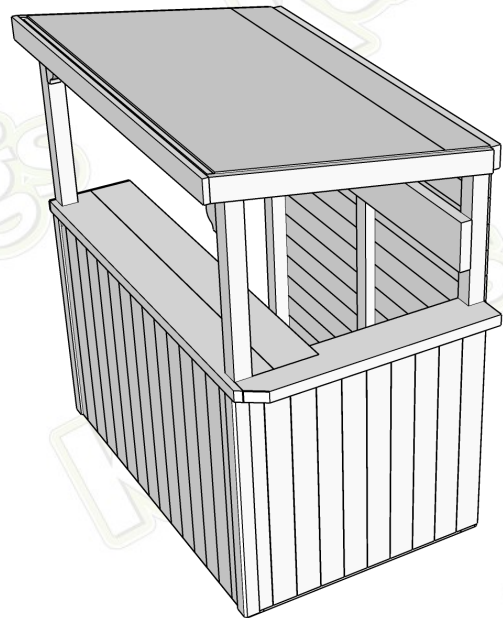
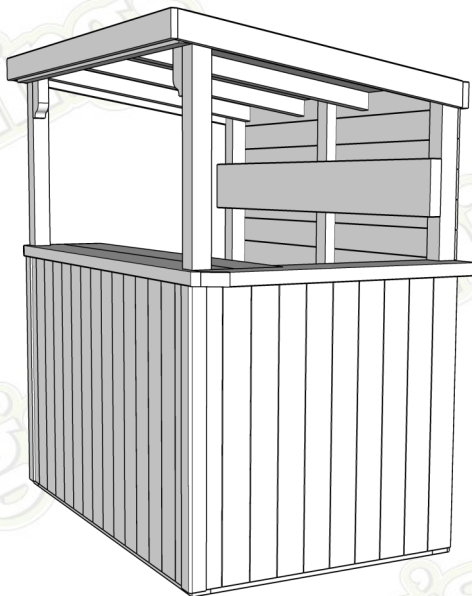
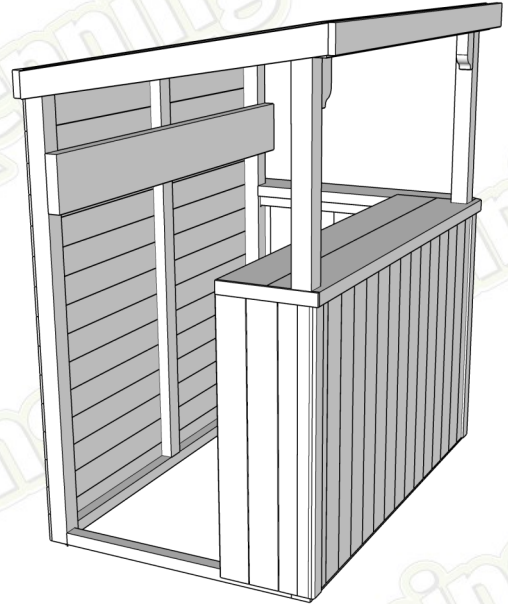
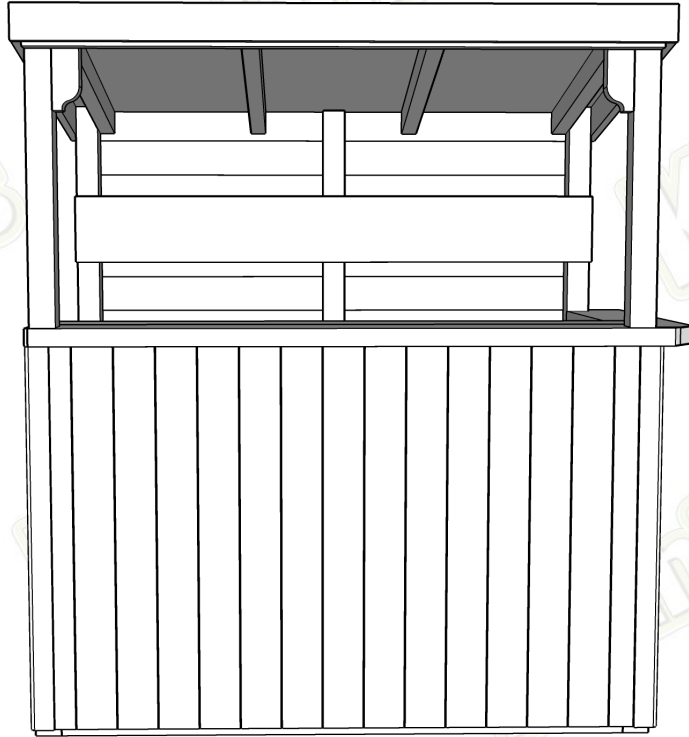
1 x Closed Side Bar Roof Fascia 4x1 PSE 1170mm (**X**)



THE UTOPIA Deluxe Garden Bar

Fitting Instructions

Kennings



Enjoy your new Deluxe Garden Bar!