

Contents

PARTS INCLUDED IN YOUR KIT

- 3 x 1400mm**
- 1 x 1400mm notched for legs**
- 6 x 1210mm**
- 2 x 915mm**
- 2 x 560mm Chamfered Arm Rests**
- 4 x 560mm**
- 2 x 470mm**
- 2 x 510mm Angled Cut Back Supports**
- 60 x 80mm Screws**



Don't forget to check your work with a level as you go!

Page 1 of 8

All images are for illustration only, Please see individual item listings for actual item specifications

Garden Bench Fitting Instructions

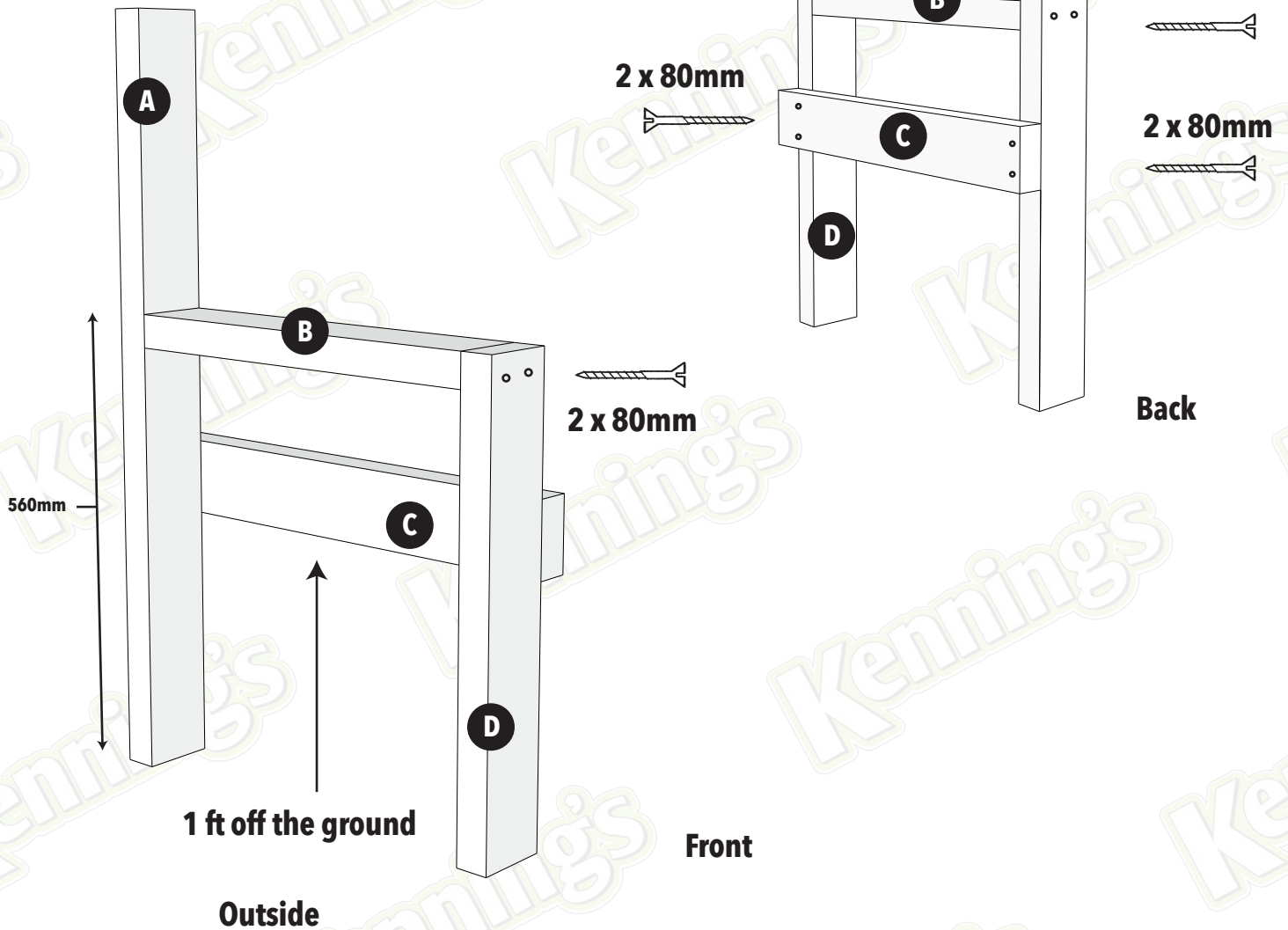


Step 1

Start by joining the 915mm back legs (**A**) and 560mm front legs (**D**) together by screwing into the 470mm arm support (**B**) with 2 x 80mm screws from the front & 2 x 80mm screws from the back, as shown in the diagram.

Then screw into place (**C**) so it is 1ft off the ground and sits flush to the front of (**A**) and back of (**D**) again using 2 x 80mm screws front and back.

Repeat these steps for the opposite side so it mirrors



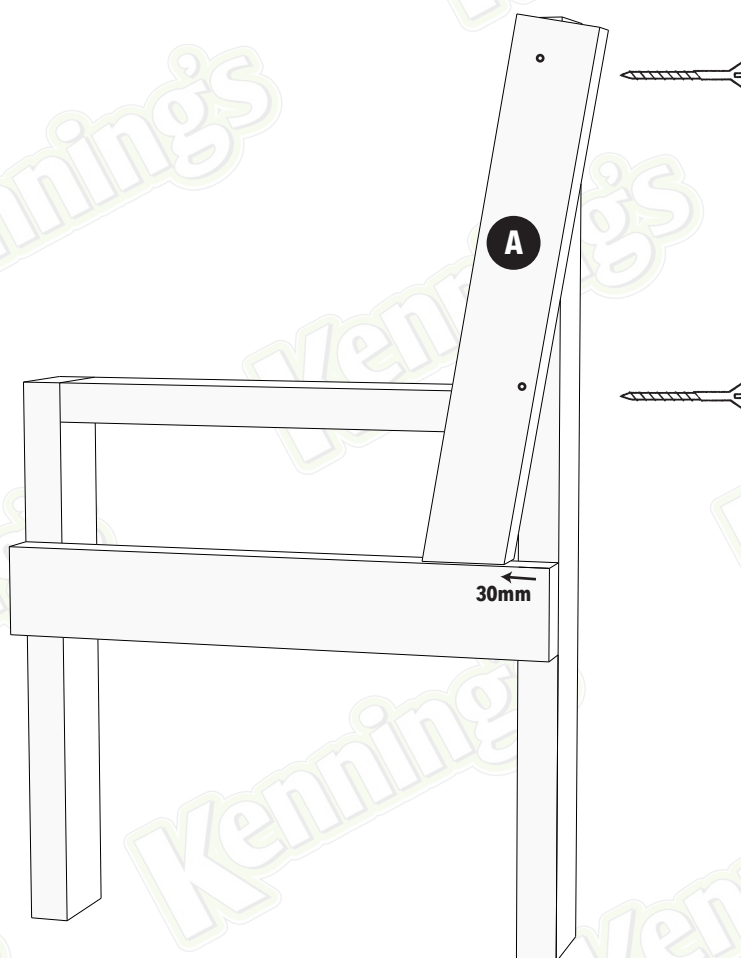
Don't forget to check your work with a level as you go!

Step 2

INSTALL ANGLED BACK SUPPORTS

Place the angled support (A) so that it sits 30mm from the back of the seat support.

Fix this into position using 2 x 80mm screws top and bottom as shown in diagram.



Inside

Don't forget to check your work with a level as you go!

Page 3 of 8

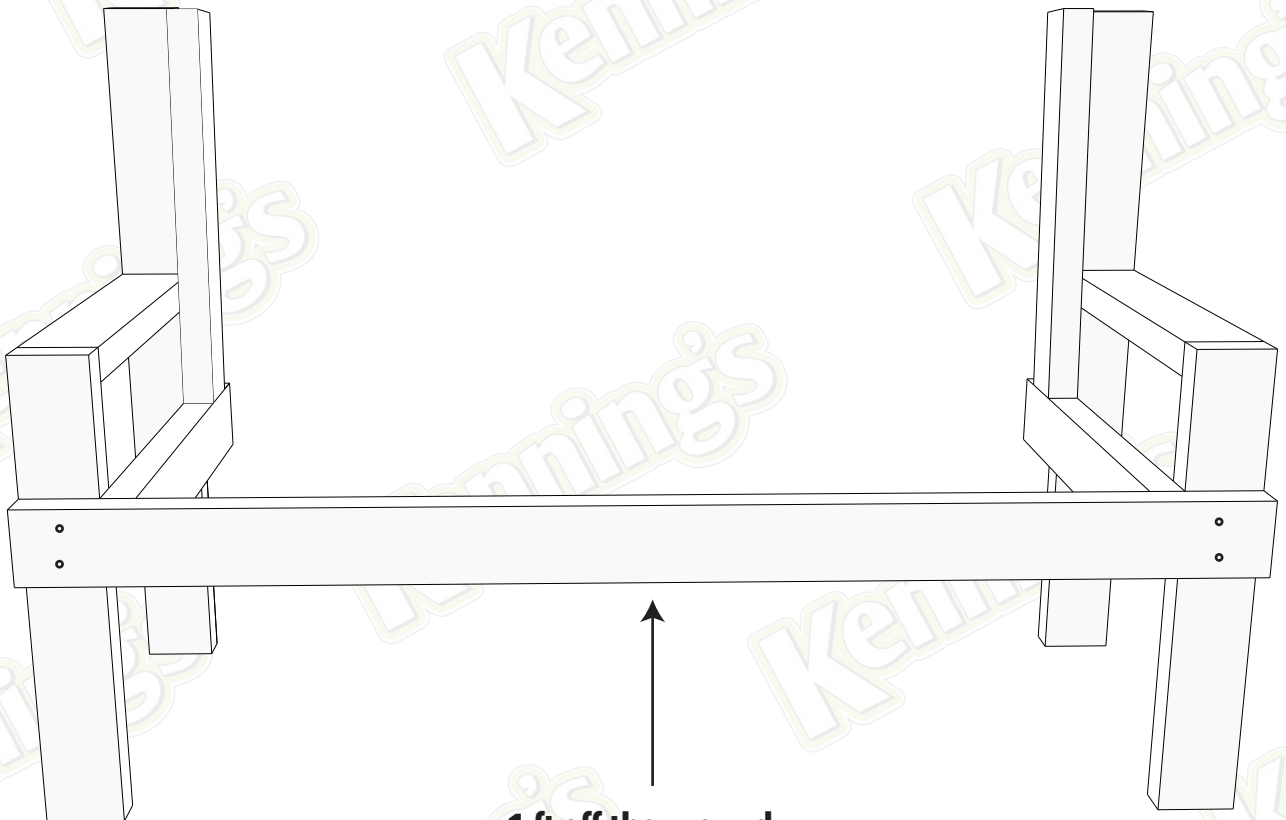
All images are for illustration only, Please see individual item listings for actual item specifications

Step 3

INSTALL THE BENCH FRONT SUPPORT

Screw a 1400mm support to the front of the frame, using 2 x 80mm screw at each end as shown in diagram below.

Front



Don't forget to check your work with a level as you go!

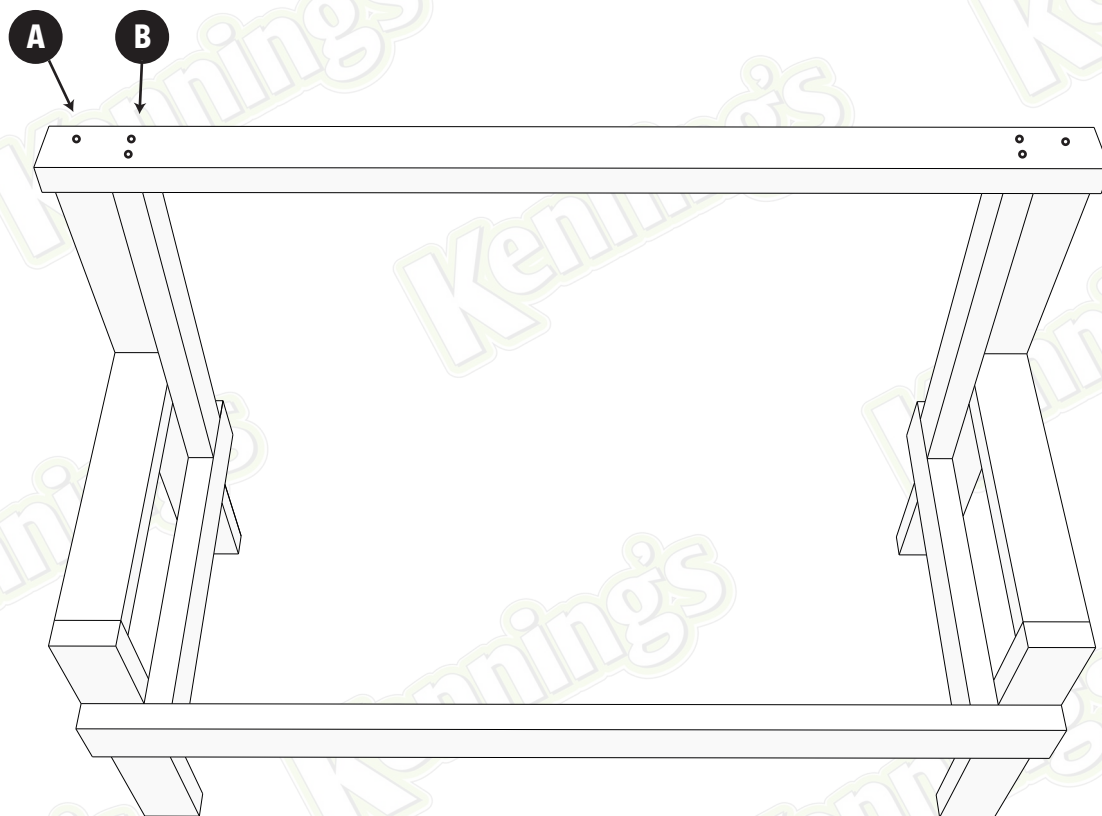
Page 4 of 8

All images are for illustration only, Please see individual item listings for actual item specifications

Step 4

INSTALL THE BENCH TOP SUPPORT

Screw a 1400mm support to the top, using 1 x 80mm screw at each end into the back legs **(A)** and 2 x 80mm screws into the angled back rest supports **(B)** as shown in diagram below.



Don't forget to check your work with a level as you go!

Page 5 of 8

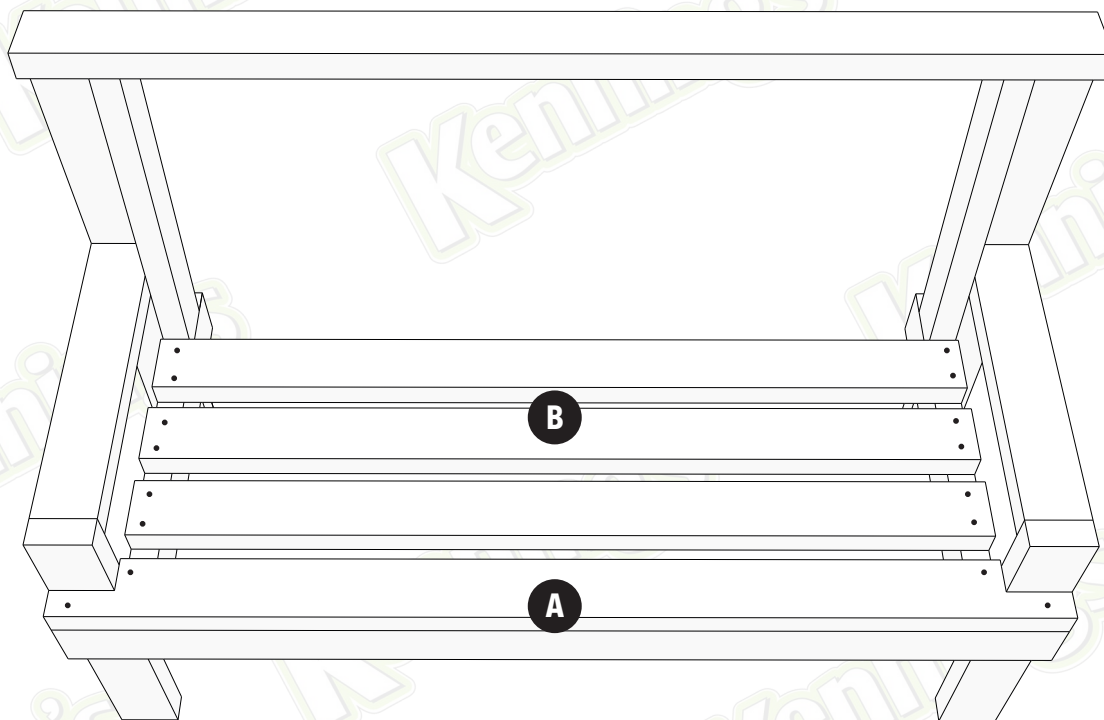
All images are for illustration only, Please see individual item listings for actual item specifications

Step 5

INSTALLING THE SEAT SLATS

Position the 1400mm piece with cuts outs for the legs at the front of the seat **(A)** secure with 2 x 80mm screws at each end as shown in diagram below.

Then add the 3 x 1210mm slats to the seat area with a gap of 1" between each slat, secure with 2 x 80mm screws at each end as shown below **(B)**



Don't forget to check your work with a level as you go!

Page 6 of 8

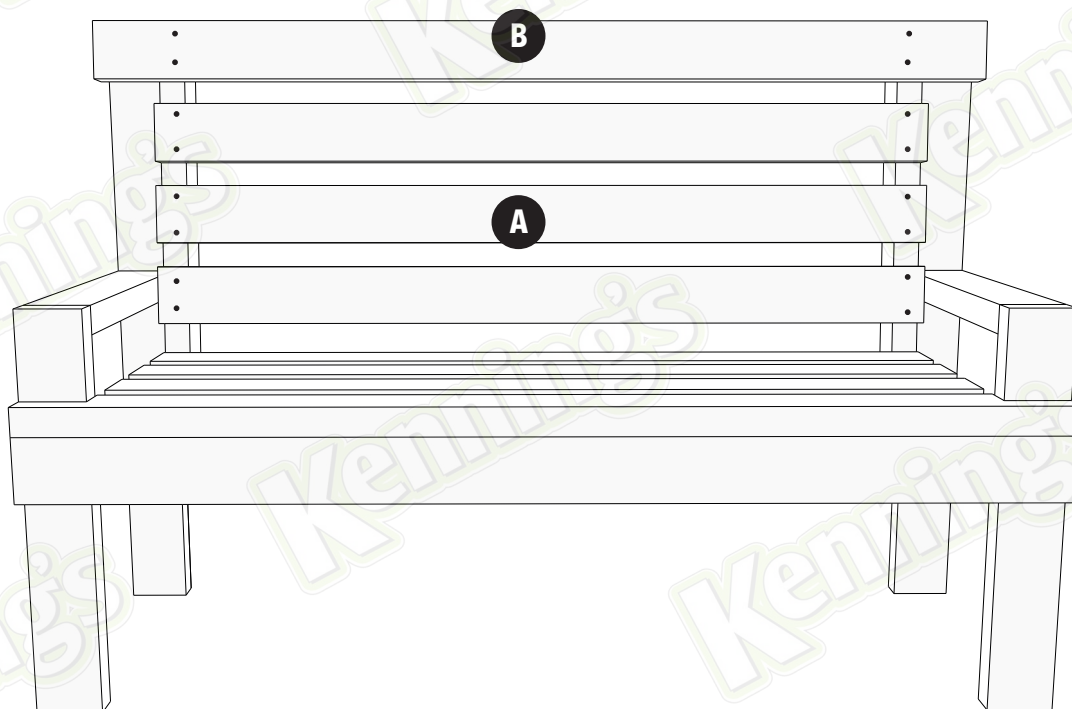
All images are for illustration only, Please see individual item listings for actual item specifications

Step 6

INSTALLING THE BACK REST

Evenly space the 3 remaining 1210mm **slats (A)** on the angled part of the frame using 2 x 80mm screws at each end

Fix the last piece of 1400mm to the top of the backrest so it is flush with top piece of 1400mm installed in the previous step. Again using 2 x 80mm screws in each end **(B)**



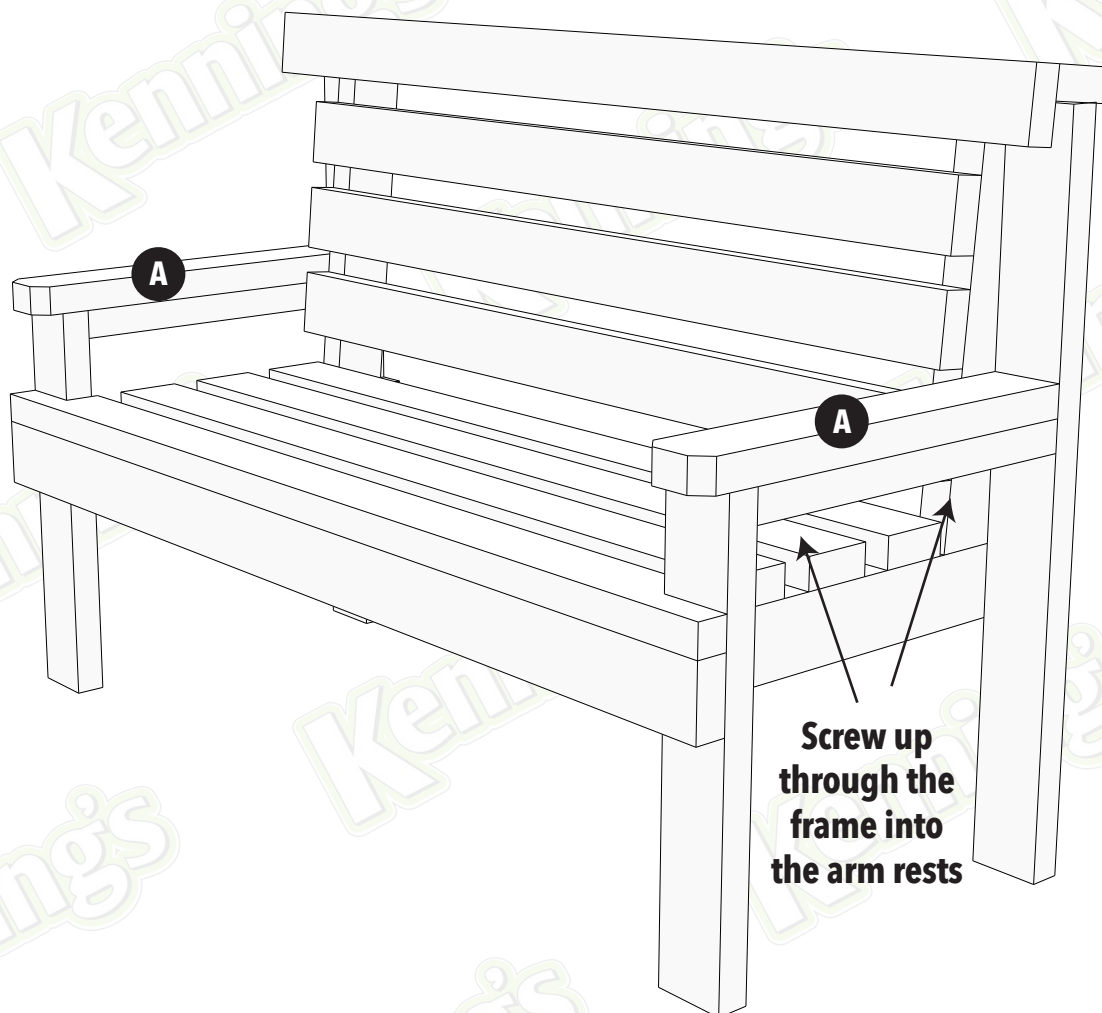
Don't forget to check your work with a level as you go!

Page 7 of 8

All images are for illustration only, Please see individual item listings for actual item specifications

Finish

Lastly screw the 2 arm rests into position **(A)** by screwing up through the framing underneath with 2 x 80mm screws in each end of the armrest.



Don't forget to check your work with a level as you go!

Page 8 of 8

All images are for illustration only, Please see individual item listings for actual item specifications