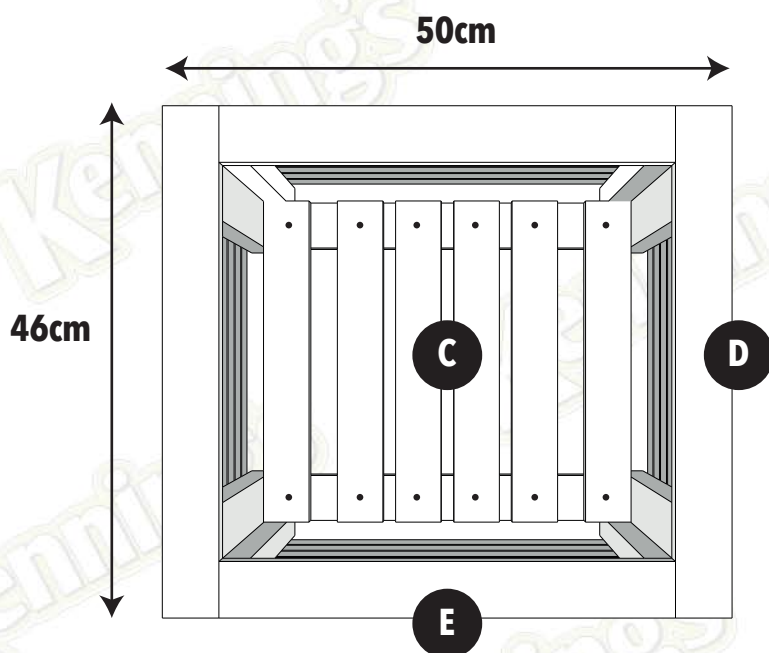
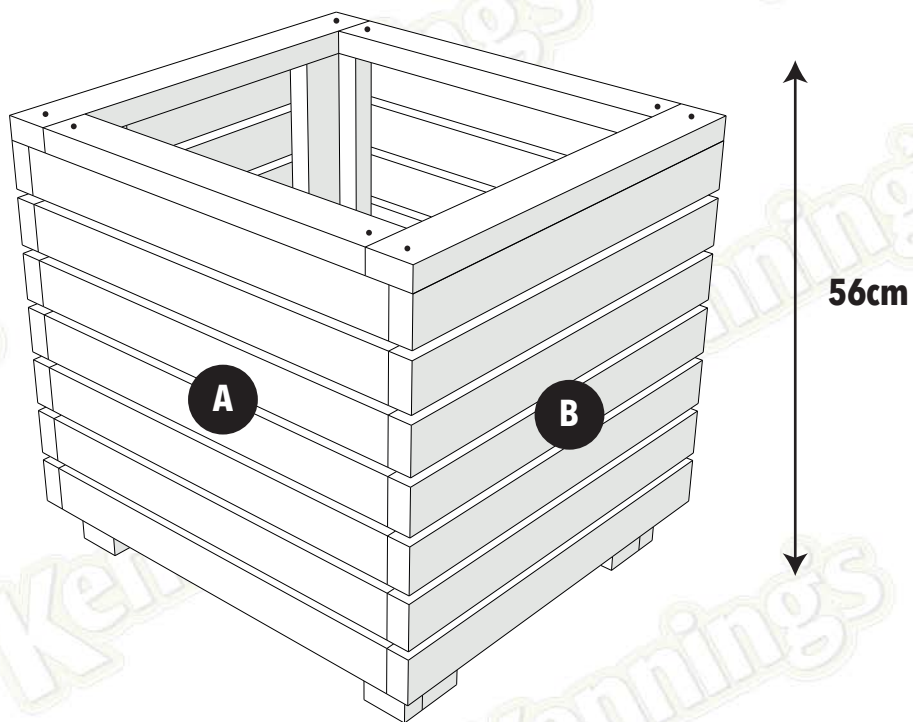


Contents

PARTS INCLUDED IN YOUR PLANTER

- 2 x Side Panel - A
- 2 x Side Panel - B
- 1 x Base - C
- 2 x 46cm 2x1" Top Trim Piece - D
- 2 x 41cm 2x1" Top Trim Piece - E
- 16 x 50mm Screws



IMAGES FOR ILLUSTRATION ONLY

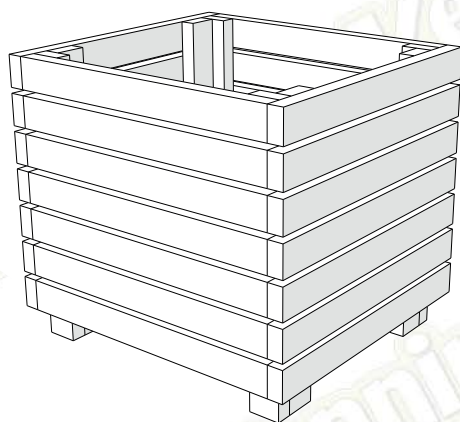
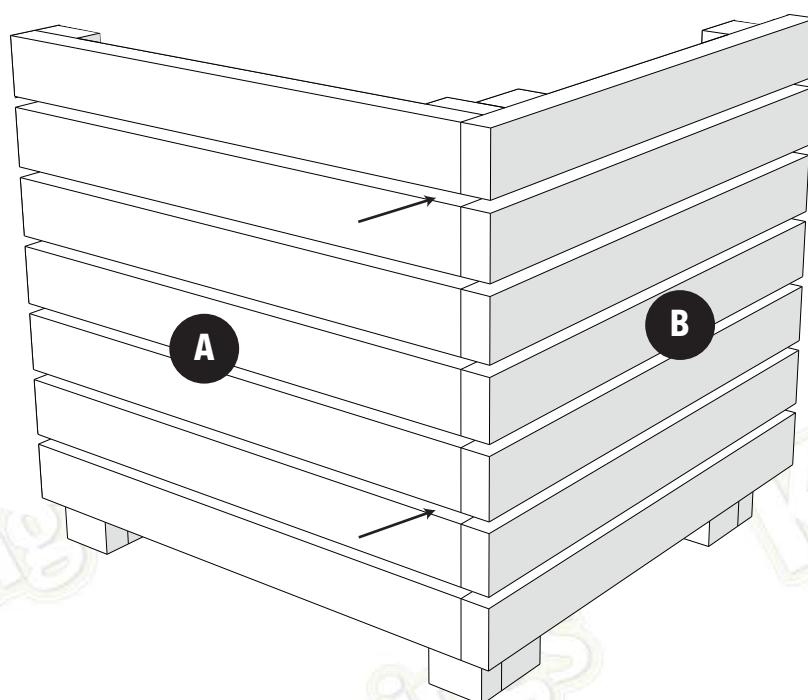
Don't forget to check your work with a level as you go!

Garden Planter Fitting Instructions



Step 1

Begin by fixing together the 4 side panels **A & B**, do this by screwing from the outside of the planter between the slats on the side panel **A** into the support on the inside of **B** as shown in diagram.



Repeat this for the 2 other side panels so that the planter stands by itself.

A total of 8 screws should be used for this step.

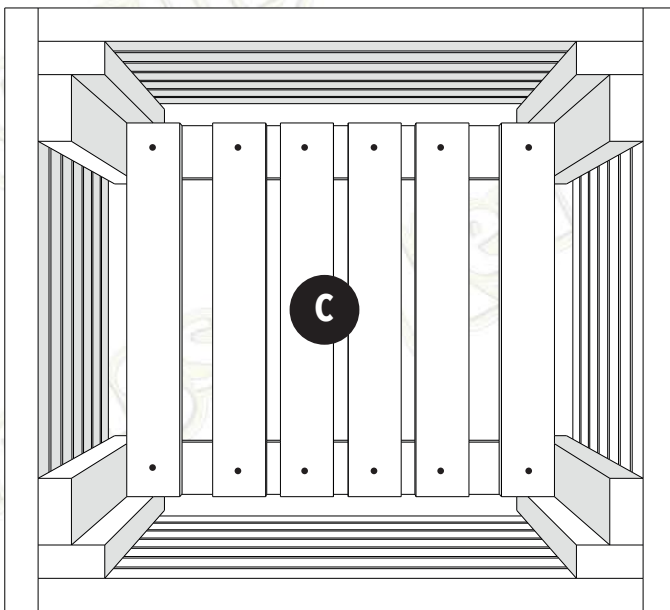
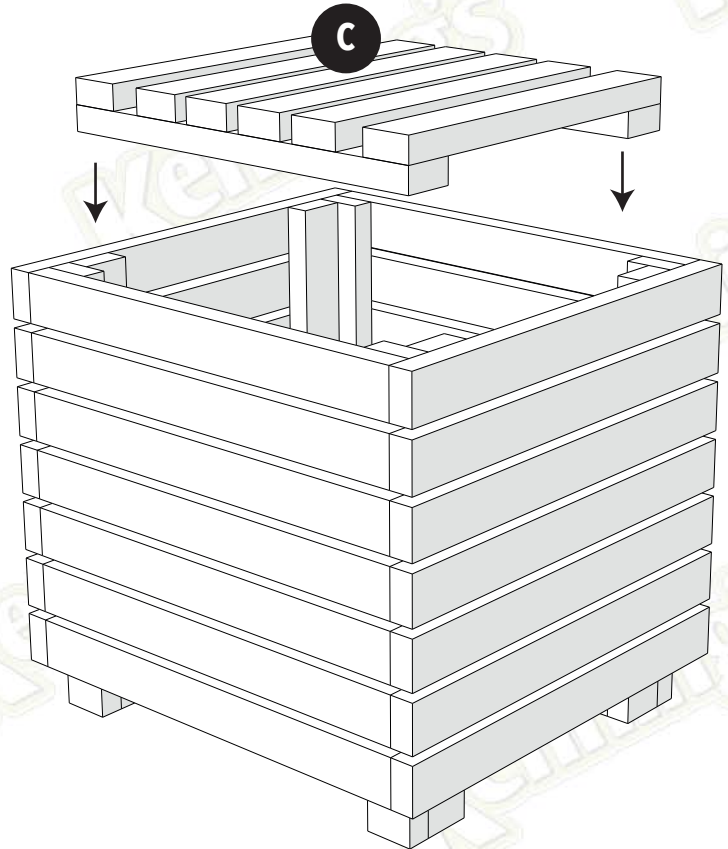
Don't forget to check your work with a level as you go!

Page 2 of 4

All images are for illustration only, Please see individual item listings for actual item specifications

Step 2

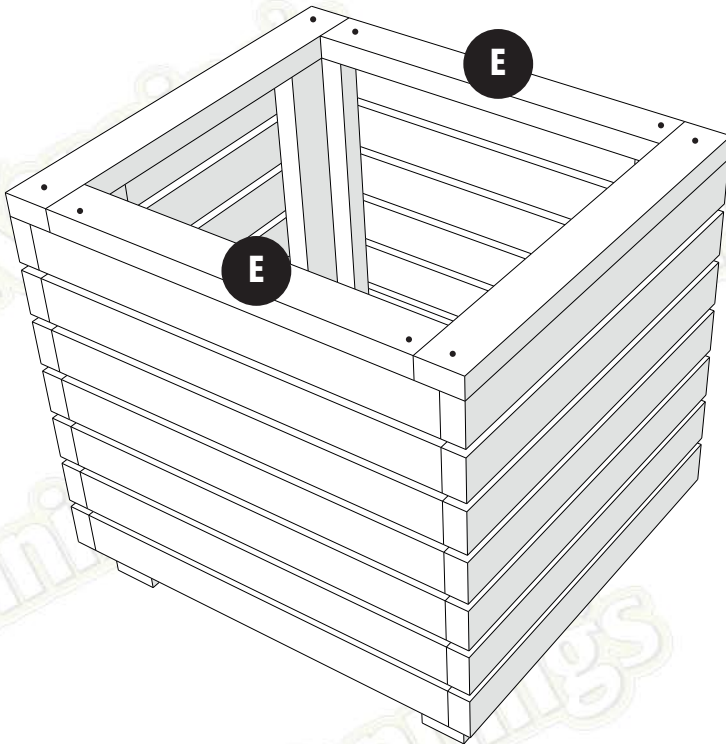
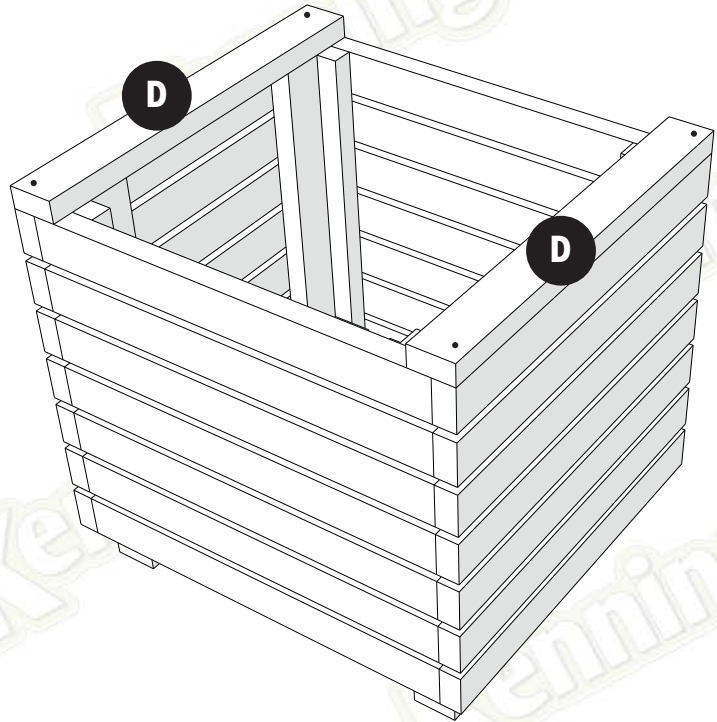
Lower the base **C** into the planter, it should fit snugly and rest on the foot rests of the side panel **B**.



Don't forget to check your work with a level as you go!

Step 3

Finally fix the 4 top trim pieces **D & E** to the top of side panels **A & B** as shown in the diagrams on this page, using a screw at each end of the trim pieces.



Don't forget to check your work with a level as you go!