

Garden BBQ Shelter

With Fold Out Worktop

Component List

2 x Front Support Posts	3" x 3"	2100mm	(A1)
2 x Rear Support Posts	3" x 3"	1950mm	(A2)
2 x Roof Framing	2" x 2"	1660mm	(B1)
4 x Roof Rafters	2" x 2"	1260mm (Angle Cut)	(B2)
13 x Featheredge Roof		1800mm	(B3)
2 x Side Fascia Boards	4" x 1"	1350mm (Angle Cut)	(B4)
1 x Front Fascia Board	4" x 1"	1840mm	(B5)
1 x Decorative Front Piece			(B6)
6 x Cladding Frame	2" x 2"	1100mm	(C1)
18 x Cladding (Sides)	4" x 1"	1200mm	(C2)
9 x Cladding (Rear)	4" x 1"	1660mm	(C3)
1 x Handrail (Side)	4" x 1"	1200mm	(C4)
1 x Handrail (Rear)	4" x 1"	1660mm	(C5)
12 x Fold Out Worktop	4" x 1"	700mm	(D1)
1 x Fold Out Frame 1	2" x 2"	1090mm	(D2)
1 x Fold Out Frame 2	2" x 2"	1185mm	(D3)
2 x Side Arms Horizontal	4" x 2"	500mm (Angle Cut)	(D4)
2 x Side Arms Diagonal	4" x 2"	635mm (Angle Cut)	(D5)
2 x Side Arms Vertical	2" x 2"	600mm (Angle Cut)	(D6)
227 x 50mm Green Screws			(FIX 1)
46 x 75mm Green Screws			(FIX 2)
8 x 100mm Screws			(FIX 3)
6 x 75mm Hinges			(FIX 4)
36 x 20mm Hinge Screws			(FIX 5)
1 x Auto Latch			(FIX 6)

Recommended Tools

Drill Driver
PZ2 Driver Bit
Pilot Drill Bit
Tape Measure
Spirit Level

We recommend two people to assemble this BBQ shelter.

All images are for illustration only. Please see individual item listings for actual item specifications.

Page 1 of 14

Garden BBQ Shelter

With Fold Out Worktop

Kennings's

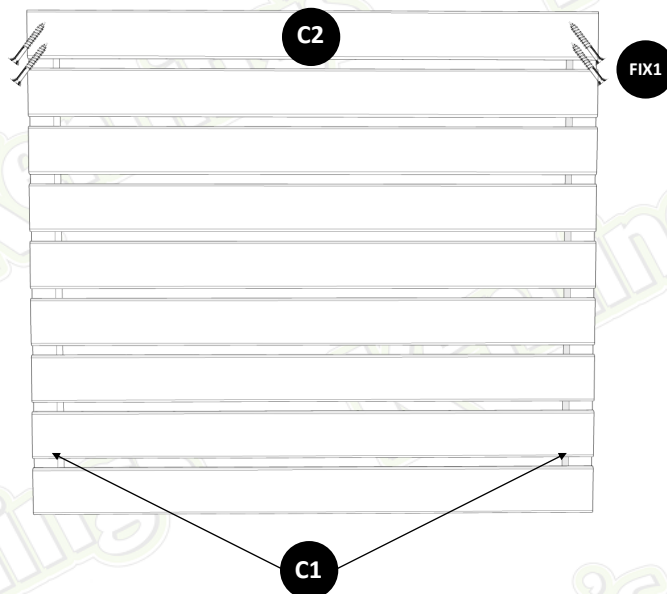
Step 1

To prevent splits, drill a pilot hole before driving screws

Using 2 x cladding frame pieces (**C1**) and 9 x cladding boards (**C2**) assemble your side panels as shown below. The board at the top should fit flush with the frame piece, working down the timber with 25mm spaces in between each board.

Each board is held in place using 2x 50mm green screws (**FIX 1**) per side, per board, driven through the face of the cladding into the frame.

Repeat for both side panels.

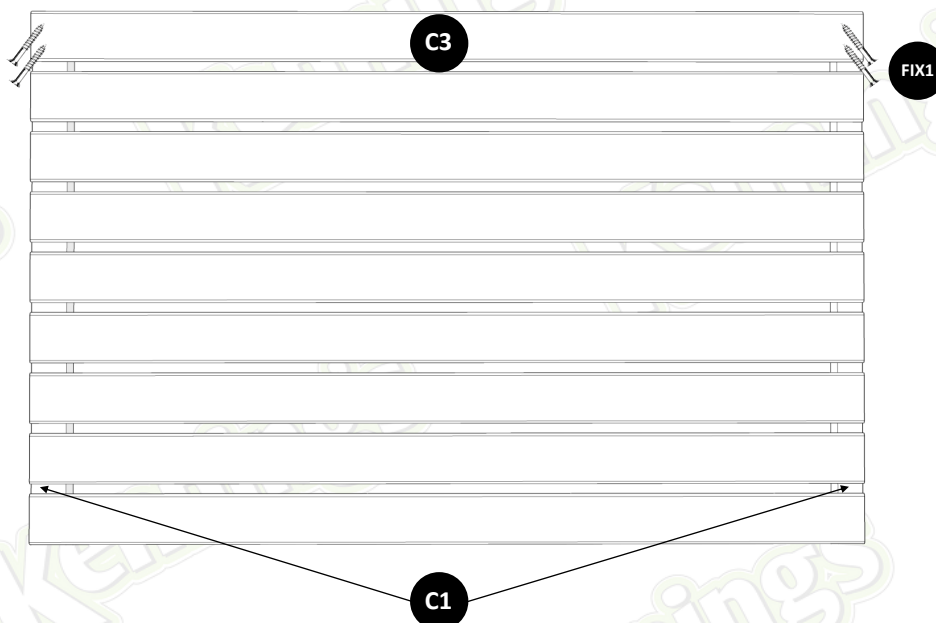


Step 2

Next is to create the back panel, which is much the same as the two sides you have built in step one.

Using 2 x cladding frame pieces (**C1**) and 9 x cladding boards (**C3**) assemble your rear panel as shown below. The board at the top should fit flush with the frame piece, working down the timber with 25mm spaces in between each board.

Each board is held in place using 2x 50mm green screws (**FIX 1**) per side, per board, driven through the face of the cladding into the frame.



All images are for illustration only. Please see individual item listings for actual item specifications.

Garden BBQ Shelter

With Fold Out Worktop

Kennings

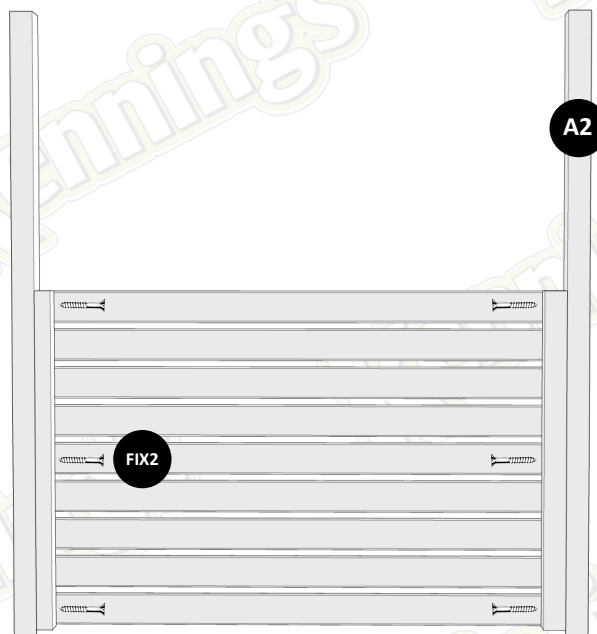
Step 3

To prevent splits, drill a pilot hole before driving screws

With the three side/rear panels now built, they can be attached to the corner support posts.

Starting with the rear support posts **(A2)** place the rear panel between the two posts and screw into place using 3 x 75mm green screws **(FIX 2)**.

The screws should be placed as per the diagram, one at the top, middle and bottom on each side, through the panel frame and into the side of the support posts, the panel should sit 20mm from the floor to prevent ground contact which could cause the timber to suffer from rot if regularly wet.



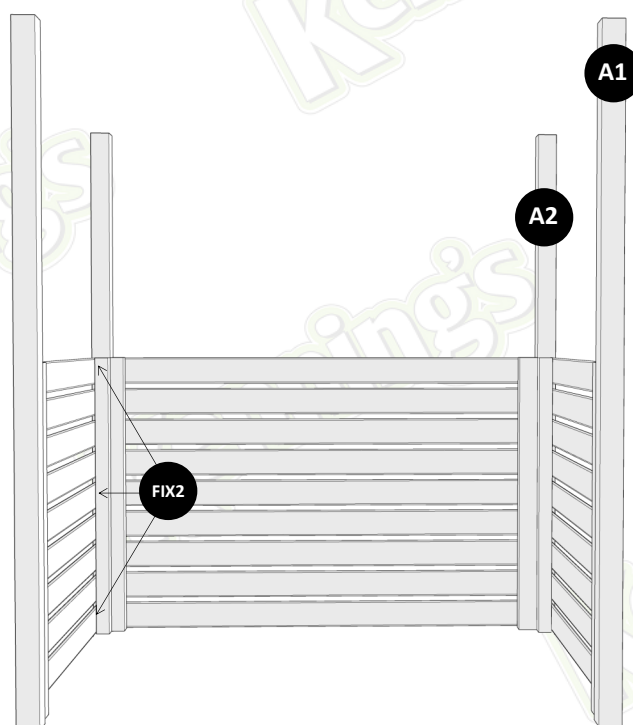
Step 4

With the rear section fixed in place, both sides can be then screwed into position as per the diagram to the right.

The fixing method is the same as step 3, using 3 x 75mm green screws **(FIX 2)** one at the top, middle and bottom on each side, through the panel frame and into the side of the support posts.

We recommend first fastening the side panel to the rear support post **(A2)** before moving onto the front support posts **(A1)**.

Repeat the process on both sides.



Garden BBQ Shelter

With Fold Out Worktop

Kennings

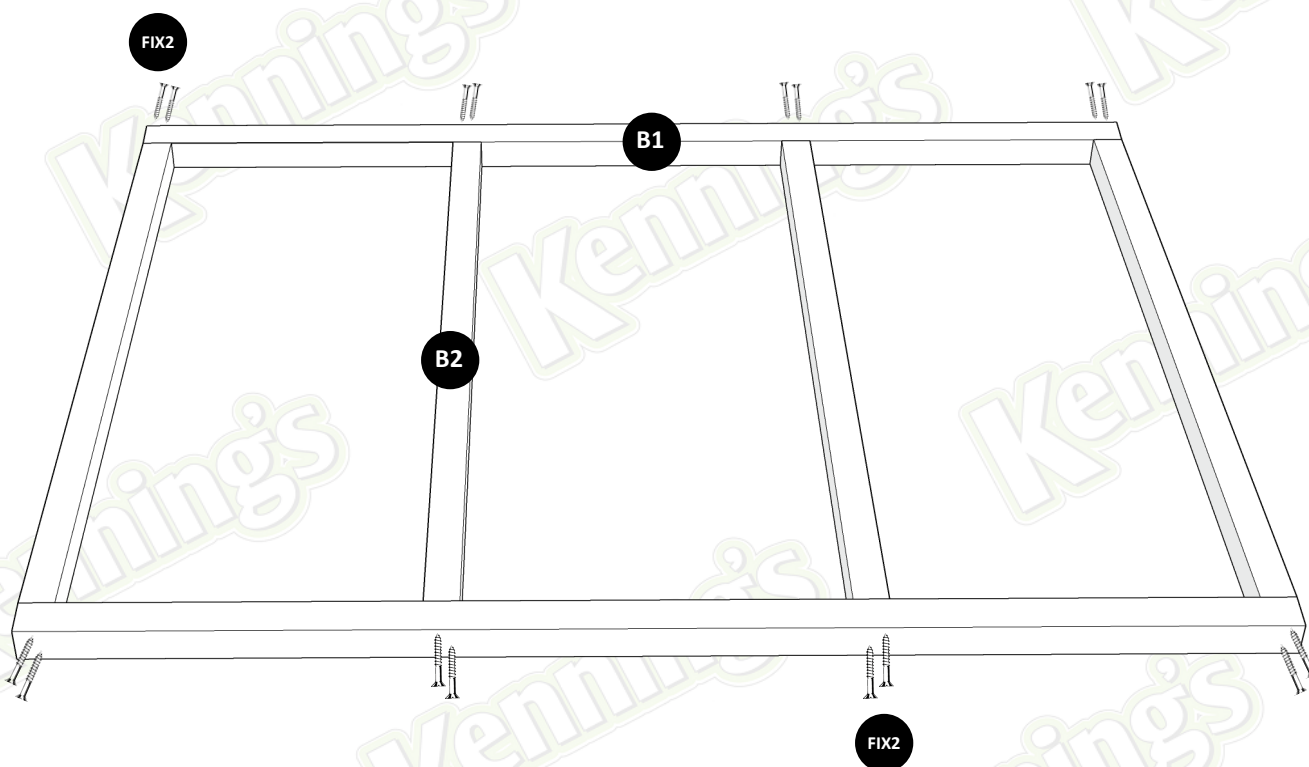
Step 5

To prevent splits, drill a pilot hole before driving screws

Using the roof framing parts **(B1)** and **(B2)** assemble your roof frame as below.

Screw through the face of **(B1)** into the rafters / frame timbers **(B2)** using 2 x 75mm green screws **(FIX 2)** at each end.

Please Note: Due to the slight angle cuts on pieces **(B2)** the frame should not lay flat; this is to create the sloping pitch on the roof which will allow for water to run off the back.



(B2) Side Profile

All images are for illustration only. Please see individual item listings for actual item specifications.

Page 4 of 14

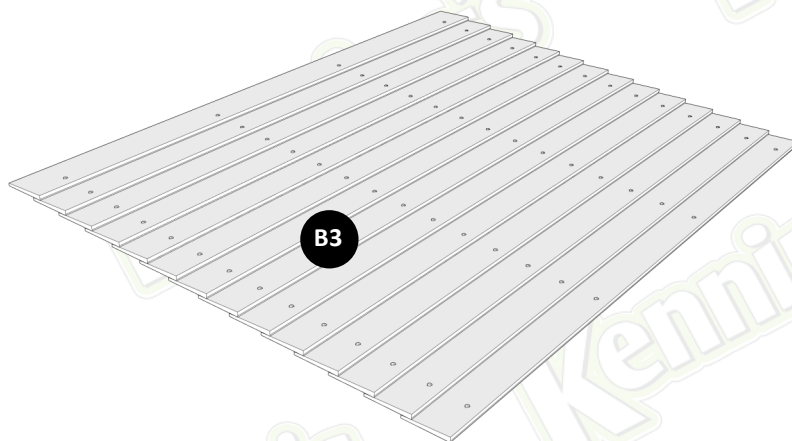
Garden BBQ Shelter With Fold Out Worktop

Kennings

Step 6

To prevent splits, drill a pilot hole before driving screws

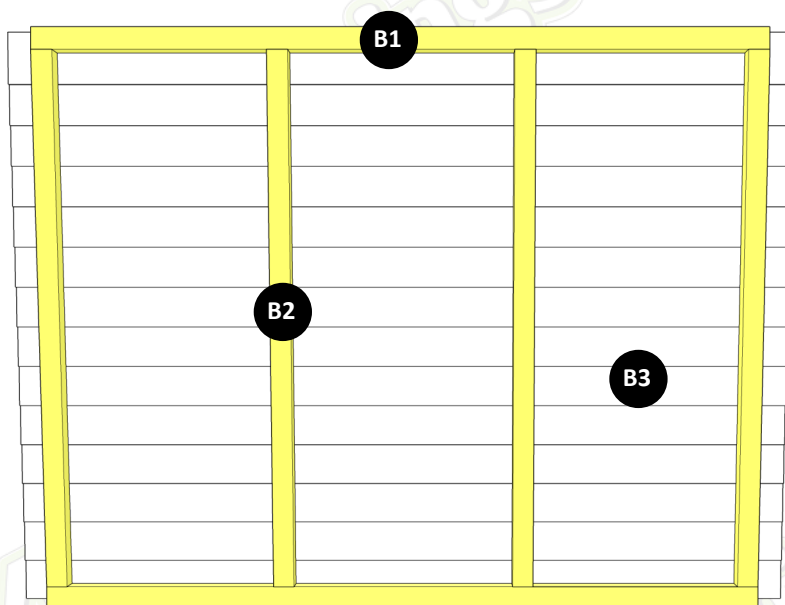
Attach the featheredge roof boards (**B3**) to the roof frame you have just built in step 5 using 1 x 50mm green screw (**FIX1**) per board, per joist as indicated to the right.



Remember to leave a minimum of 20mm overlap on each board and to screw through the thick part of the featheredge board.

The featheredge boards should sit flush at both the front and rear but will overhang the frame at both sides by 70mm.

See below for underside view.



All images are for illustration only. Please see individual item listings for actual item specifications.

Page 5 of 14

Garden BBQ Shelter With Fold Out Worktop

Kennings

Step 7

To prevent splits, drill a pilot hole before driving screws

Lift the roof above the corner posts and rest it in place, the outer edges of the roof frame should sit inside the posts.

Fix the roof in place using 2 x 100mm wood screws (**FIX 3**) per corner driving through the posts from the outside.



All images are for illustration only. Please see individual item listings for actual item specifications.

Page 6 of 14

Garden BBQ Shelter

With Fold Out Worktop

Kennings

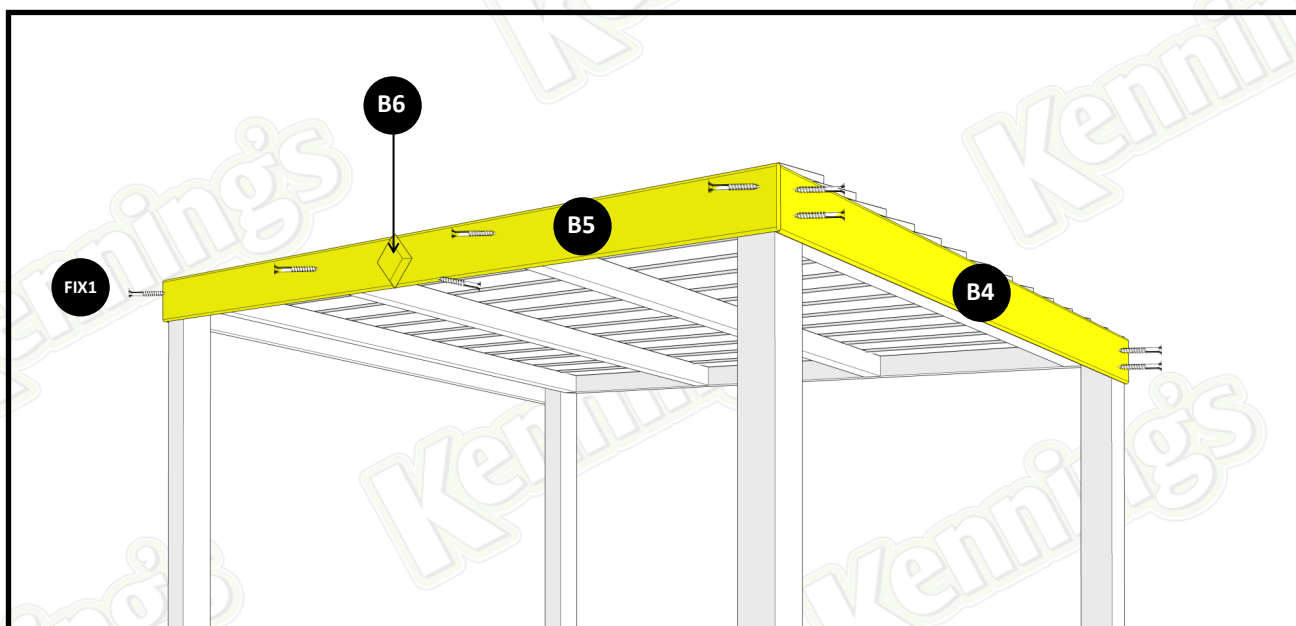
Step 8

To prevent splits, drill a pilot hole before driving screws

With the roof fixed in place the fascia boards (B4), (B5) and the decorative piece (B6) can now be installed to finish off the roof section.

The fascia's are fastened into place using 4 x 50mm green screws (FIX 1) as below.

The decorative piece is to be centred on the fascia and fixed in place by screwing through the back of the frame into the piece using 1 x 50mm green screw (FIX 1).



All images are for illustration only. Please see individual item listings for actual item specifications.

Page 7 of 14

Garden BBQ Shelter With Fold Out Worktop

Kennings

Step 9

To prevent splits, drill a pilot hole before driving screws

To complete the shelter part of the build, install the side and rear capping rails (**C4**) and (**C5**).

These should sit flush in-between your corner posts and are secured using 1 x 50 green screw (**FIX 1**) at each end, the screws should be driven through the capping rails and down into the frame uprights in the corners.



All images are for illustration only. Please see individual item listings for actual item specifications.

Page 8 of 14

Garden BBQ Shelter

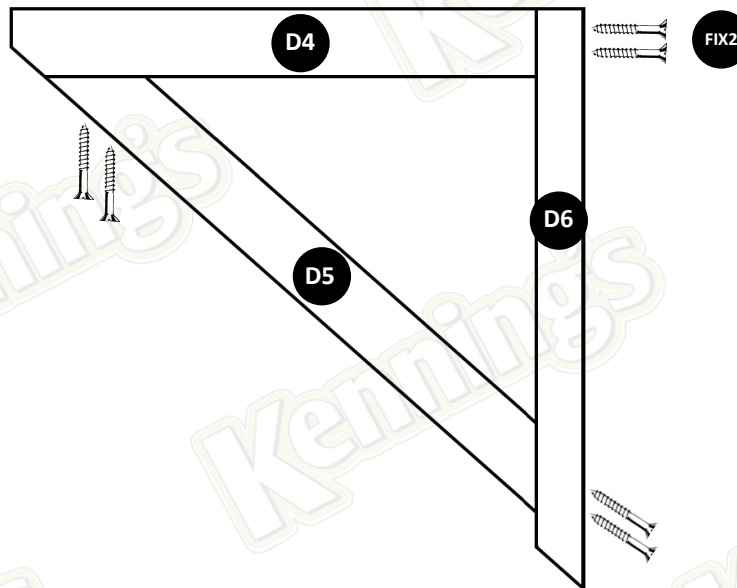
With Fold Out Worktop

Step 10

To prevent splits, drill a pilot hole before driving screws

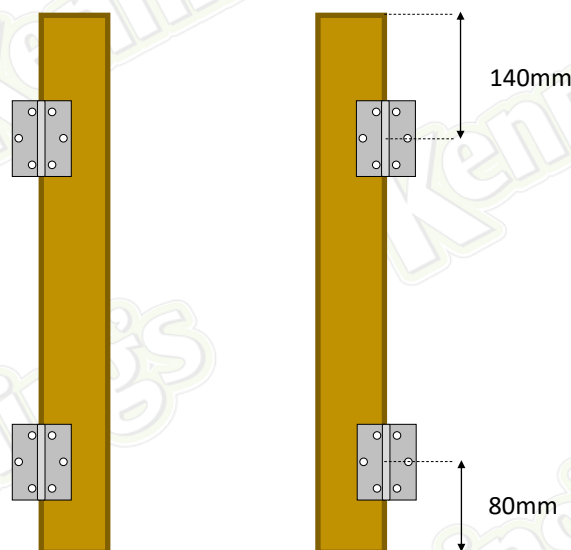
To construct the two fold out top supports, assemble pieces **(D4)**, **(D5)**, and **(D6)** as per the below diagram using 2 x 75mm green screws **(FIX 2)** as indicated in each corner.

Repeat the process for both supports.



With the fold out sides assembled, the 75mm hinges **(FIX 4)** can be fixed into position using 3 x 20mm hinge screws **(FIX 5)**.

These need to be fitted as per below; pay attention to make sure the hinges are installed on opposing sides to one another to make sure they will be able to fold out in opposite directions once attached to the shelters frame.



All images are for illustration only. Please see individual item listings for actual item specifications.

Garden BBQ Shelter

With Fold Out Worktop

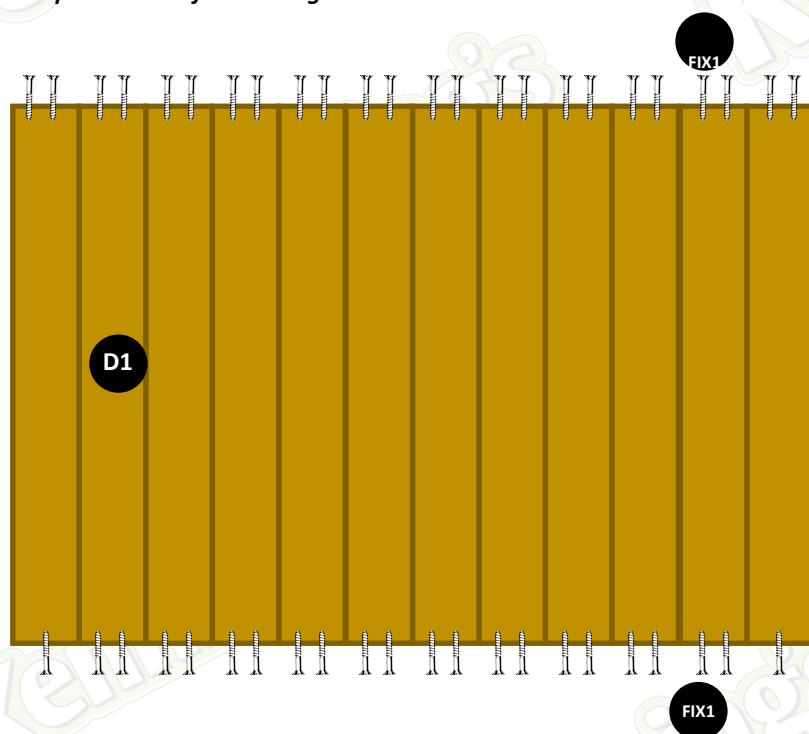
Step 11

To prevent splits, drill a pilot hole before driving screws

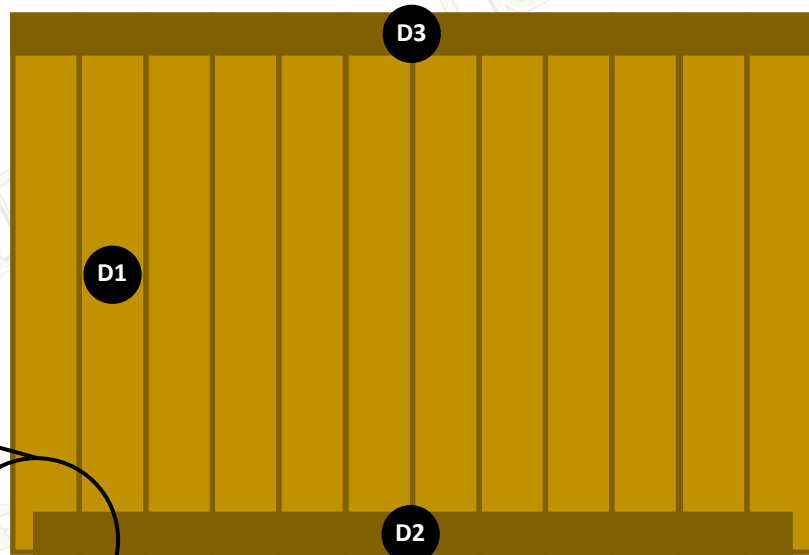
To build the fold out top, lay out the supporting timbers (D2) and (D3) and arrange the top boards (D1) touching one another over the top.

These are secured in place using two 50mm green screws (FIX 1) at each end per board as indicated, with the exception of the two ends which have the shorter piece of timber as there will only be room for one screw.

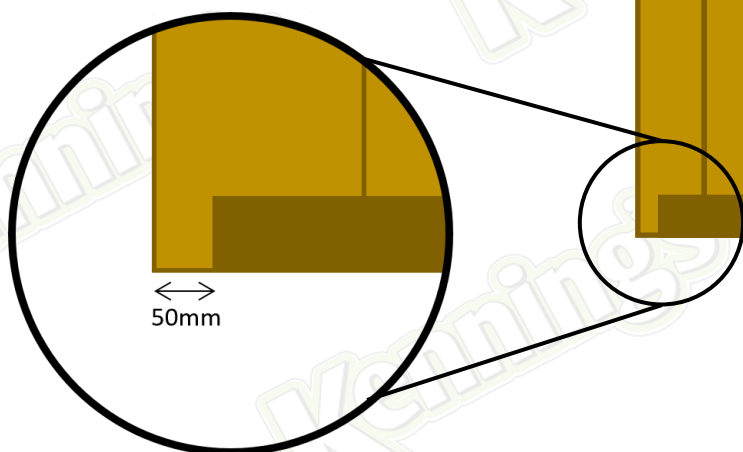
The longer of the two frame timbers (D3) should sit flush on both ends whereas the shorter piece (D2) will be 50mm in from the end at both sides, see the diagrams to the right for reference.



Top View



Underside View



Garden BBQ Shelter

With Fold Out Worktop

Kennings

Step 12

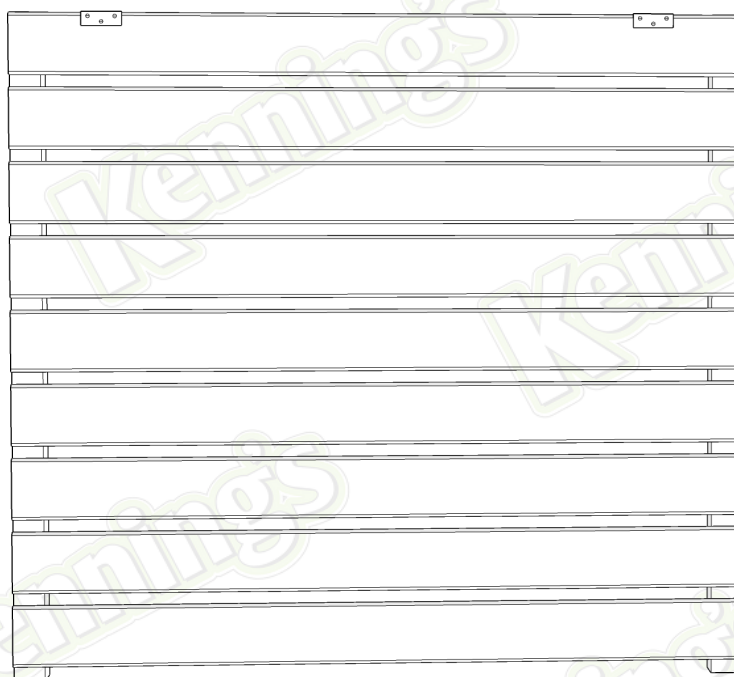
To prevent splits, drill a pilot hole before driving screws

With the top built the hinges can be screwed into place, these will allow for it to be folded up and down, we recommend fixing them into position as outlined below in the middle of the second board in from either side, secured using 3 x 20mm hinge screws (**FIX 5**) per hinge.



With the hinges now attached to the top, the top can be screwed onto the shelter frame on the side of your choice.

The hinges should be positioned so that they fasten directly onto the top cladding board and sit flush with the top edge of the cladding board (see below for reference). The hinges are fixed into place using 3 x 20mm hinge screws (**FIX 5**) per hinge.



All images are for illustration only. Please see individual item listings for actual item specifications.

Page 11 of 14

Garden BBQ Shelter

With Fold Out Worktop

Kennings

Step 13

To prevent splits, drill a pilot hole before driving screws

The two fold out top supports that you built in step 10 can now be attached to the main frame of the shelter, these will sit directly beneath the frame of the top (see below for reference).

The hinges should be positioned so that they fasten directly onto the top cladding board and the fifth board down, the fold out supports are fixed into place using 3 x 20mm hinge screws (**FIX 5**) per hinge.

The fold out supports should almost touch in the middle as per the diagram and will sit in-between the fold out top frame when opened outwards.



All images are for illustration only. Please see individual item listings for actual item specifications.

Page 12 of 14

Garden BBQ Shelter With Fold Out Worktop

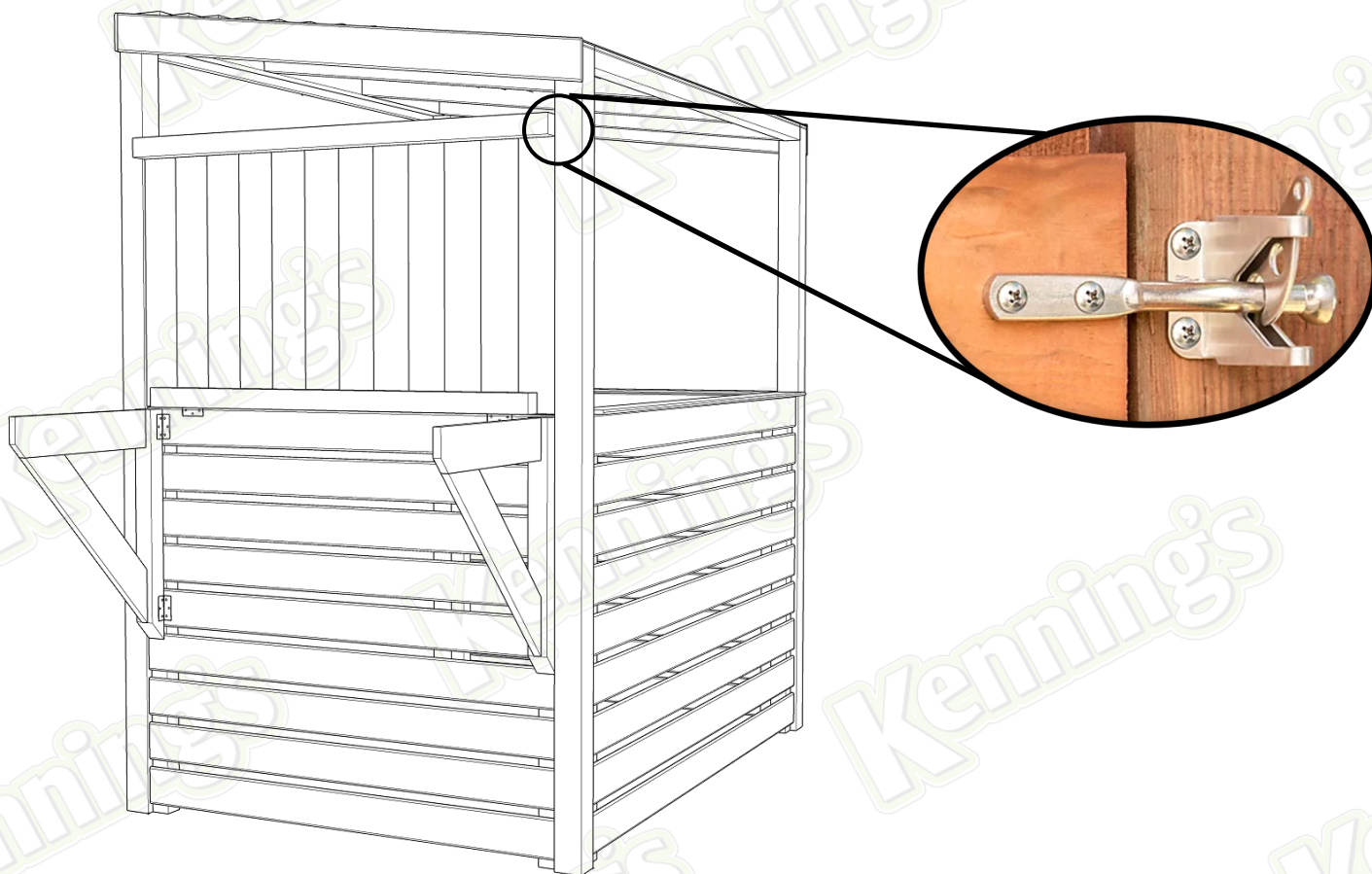
Kennings

Step 14

To prevent splits, drill a pilot hole before driving screws

To finish the build the auto latch (**FIX 6**) needs to be fixed to the rear post and the locking bar to the underside of the fold out top, this will allow the side to be securely held in place when not folded out and in use.

To align the two parts of the latch, simply fold up the top so that it is in-between the posts, first attaching the locking bar using the provided screws to the frame of the top, with this in place it will be very easy to see exactly where on the post that the latch needs to be fixed so that the two parts interlock.



All images are for illustration only. Please see individual item listings for actual item specifications.

Page 13 of 14

Garden BBQ Shelter With Fold Out Worktop

Kennings



Enjoy your new BBQ Shelter!

All images are for illustration only. Please see individual item listings for actual item specifications.

Page 14 of 14