

Composite Frame Kits Fitting Instructions



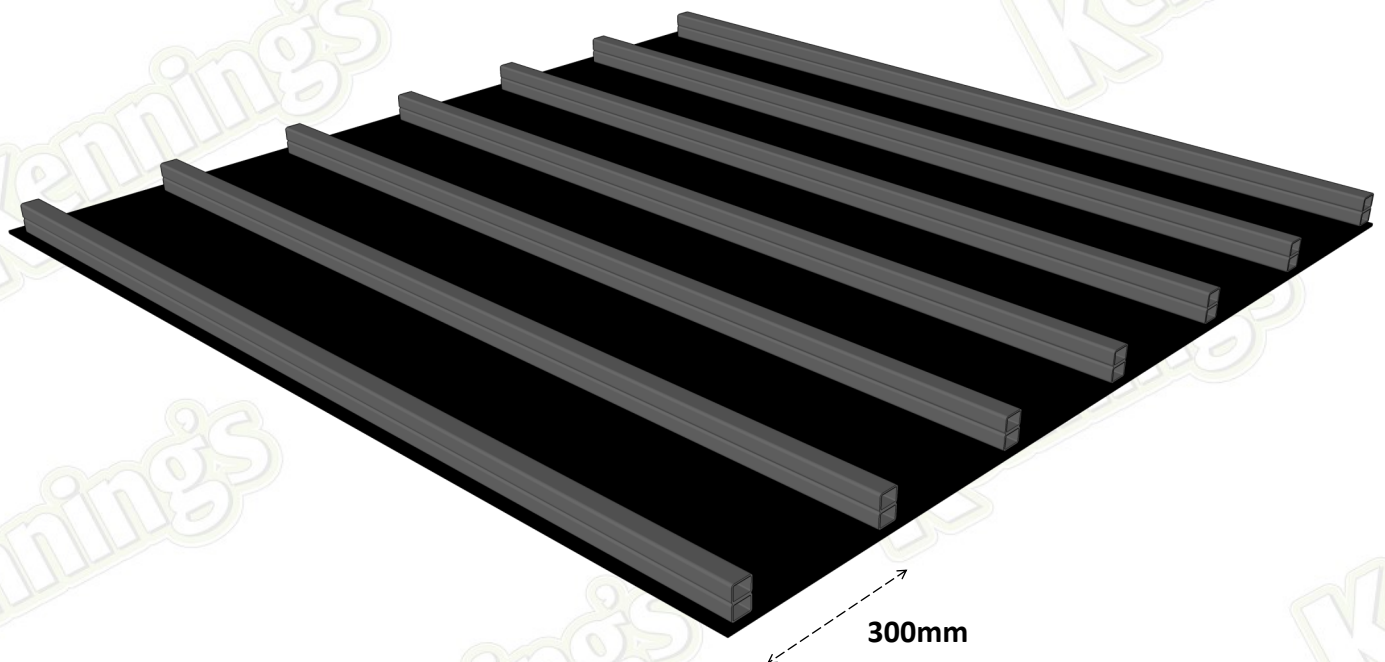
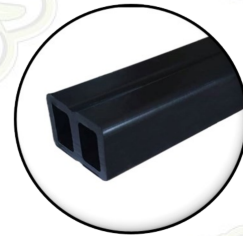
PLEASE NOTE

IF THIS FRAME IS GOING TO BE USED TO INSTALL COMPOSITE DECKING, IT IS OF CRITICAL IMPORTANCE THAT YOU INSTALL YOUR FRAME WITH A MINIMUM OF 3% INCLINE AWAY FROM YOUR PROPERTY TO AVOID STANDING WATER WHICH COULD DAMAGE YOUR BOARDS.

Step 1

Laying your composite deck joists is relatively simple!

From your starting point please place the joists at 300mm centres.



If you are using weed membrane please use this under the joists to keep it weighted down.

All images are for illustration only. Please see individual item listings for actual item specifications.

Page 1 of 2

Composite Frame Kits Fitting Instructions

Kenning's

Step 2

The next step is to box in your joist work to give you a solid structure.

This is done using the supplied angle brackets and screws.



Fig. 1

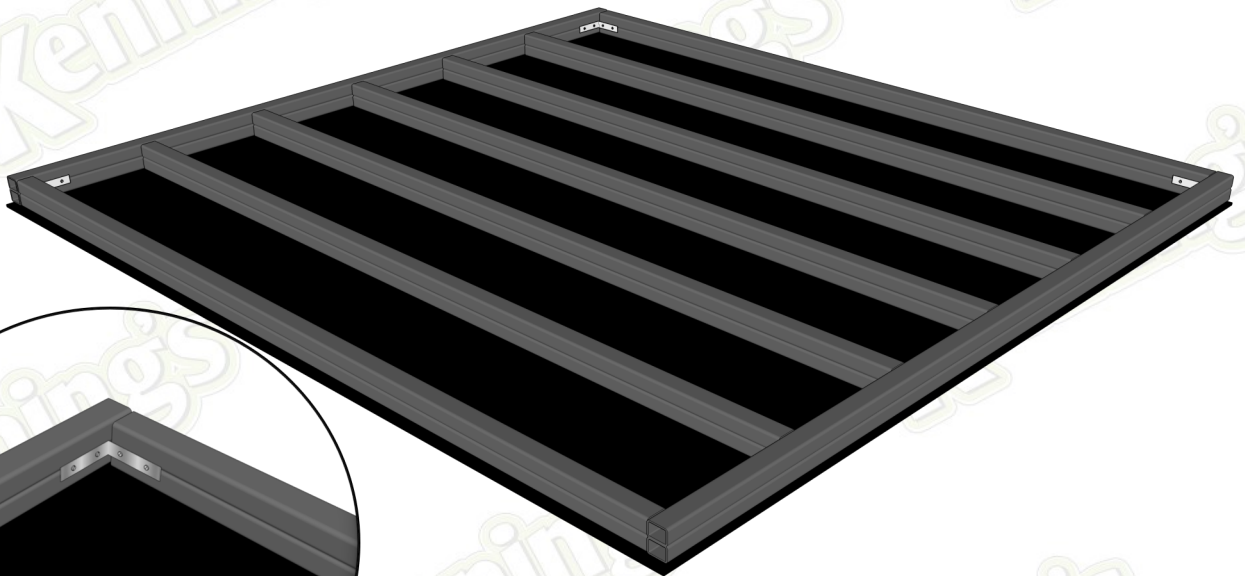
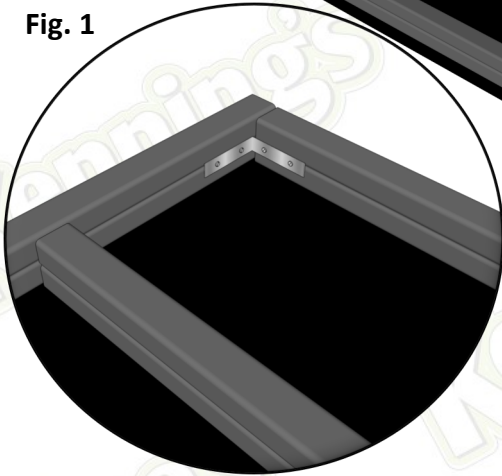


Fig. 1



If using decking pedestals to raise your deck
the pedestals **MUST** be placed at 600mm intervals

All images are for illustration only. Please see individual item listings for actual item specifications.

Page 2 of 2