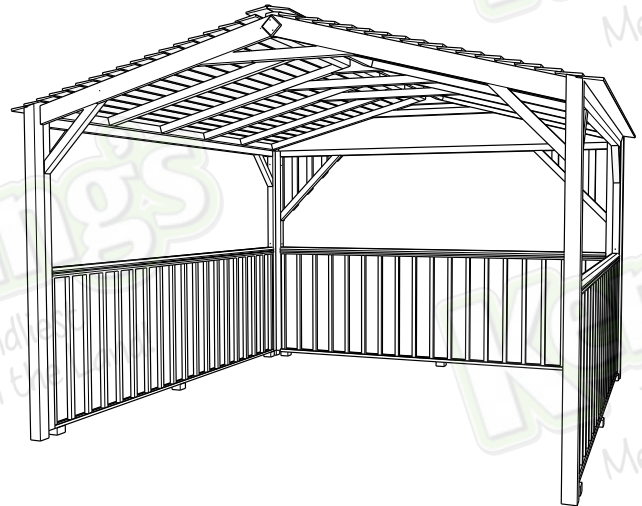


CONTENTS

Apex Roof

A1	Featheredge Roofing 3000mm	x36
A2	2x2 Roof Framing 2850mm	x4
A3	2x2 Roof Framing 1425mm	x12
A4a	4x1 Roof Fascia 1500mm	x2
A4b	4x1 Roof Fascia 1500mm	x2
A5	Roof Centre Support Wedge	x6
A6	Diamond Centre Piece	x1
A7	Roof Capping Rail 3000mm	x1
A8	Roof Support Front 1240mm	x1
A9	Roof Support Centre and rear 780mm	x3
A10	Roof Braces 650mm	x2
A11	Handrail Support Blocks	x9



Side Panels

B1	2x2 Vertical Framing 1810mm	x4
B2	Hand / Baserail 2765mm	x6
B3	Handrail Spindle 900mm	x36
B4	2x2 Horizontal Framing 2765mm	x2
B5	2x2 Support Braces 380mm	x4

Assembly will require at least 2 people

Rear Panel

C1	2x2 Vertical Framing 1810mm	x2
C2	Hand / Baserail 2765mm	x3
C3	Handrail Spindle 900mm	x18
C4	2x2 Horizontal Framing 2765mm	x1
C5	2x2 Support Braces 815mm	x2
C6	2x1 Decorative Framing 100mm	x2
C7	2x1 Decorative Framing 240mm	x2
C8	2x1 Decorative Framing 380mm	x2
C9	2x1 Decorative Framing 520mm	x2
C10	2x1 Decorative Framing 610mm	x2
C11	Support Posts 2070mm or 2400mm	x4

Please read these instructions carefully and plan your build. We recommend a minimum of two people to assemble this structure. Always check the diagrams as a reference before each step.

Wood Screws*

40mm 1 1/2g x 8g	x398
50mm Deck Screws	x12
75mm Deck Screws	x126

To support the gazebo roof during construction we supply 2 - 2x2 1M lengths to go at the front and rear of the roof. They need fitting at Step 1 and removing once the installation is complete.

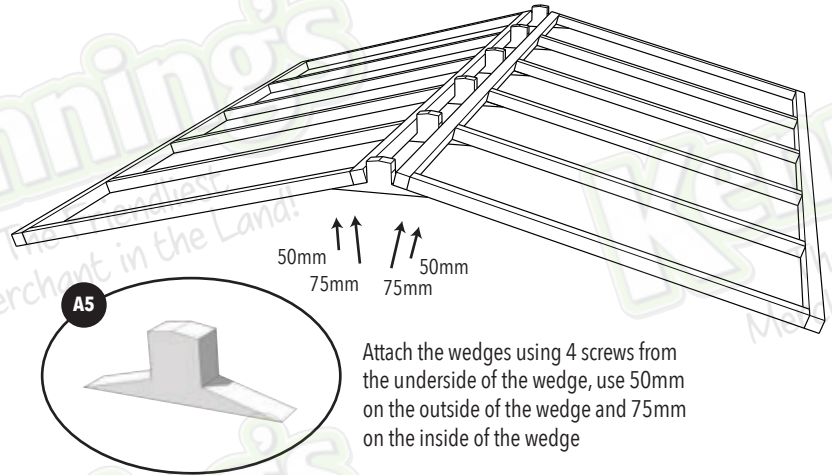
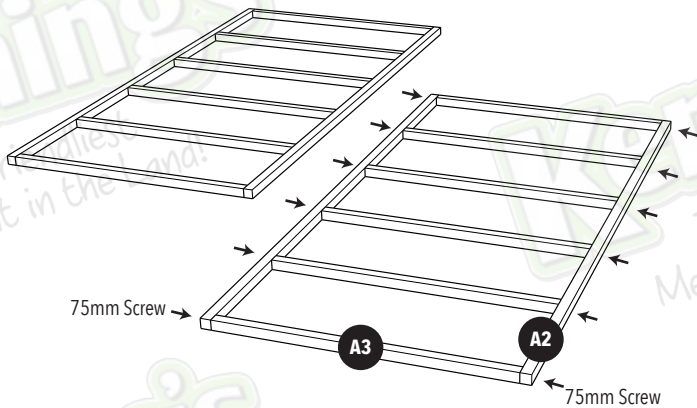
*Please note that you may receive additional screws in your kit.

Atlas Gazebo Fitting Instructions 3.0M

Step 1 - Assembling the Apex Roof

Start by evenly spacing six **2x2 Roof Framing 1425mm (A3)** and boxing them in with two **2x2 Roof Framing 2850mm (A2)** to create a frame, repeat this for the opposing side.

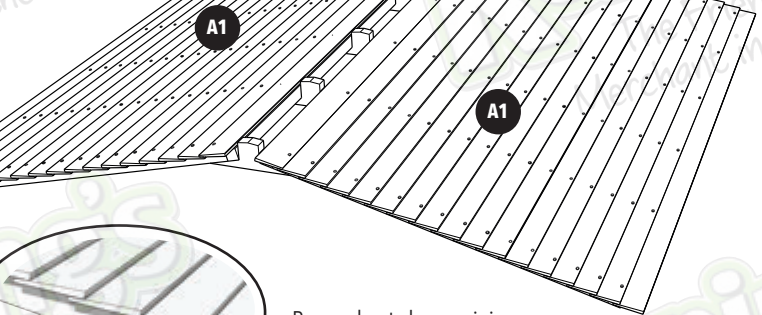
Now, to create the apex, join the two frames together using the **Roof Centre Support Wedges (A5)** attach the front and back wedges first and then the centres.



Use 75mm screws as indicated in the diagram above.
24 x 75mm screws in total (12 for each frame)

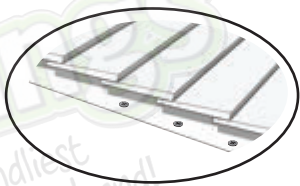
Attach the wedges using 4 screws from the underside of the wedge, use 50mm on the outside of the wedge and 75mm on the inside of the wedge

12 x 75mm & 12 x 50mm Screws to secure frame to wedges

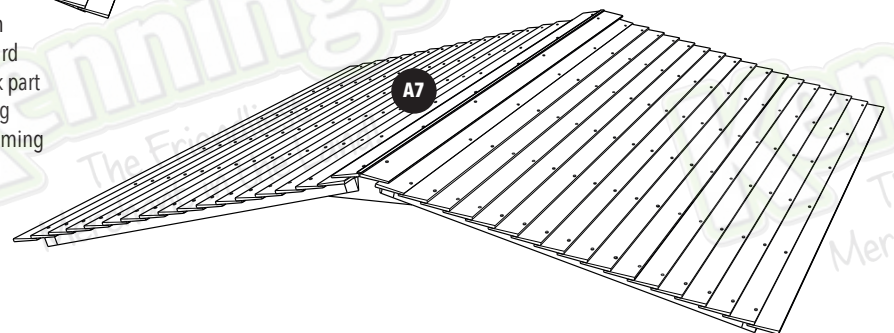


Attach the **Featheredge Roofing 3000mm (A1)** to the roof starting from the bottom to the top of the apex using 40mm screws into the roof framing below, remember to leave a minimum of 15mm overlap on each board.

A total of 216 x 40mm Screws will be needed for the roofing



Remember to leave minimum of 15mm overlap on each board and to screw through the thick part of the featheredge board using 40mm screws into the roof framing below



To complete the apex on the roof use the two remaining featheredge boards and fix them to the roof top as shown and cap off with 6 x 40mm screws into the **Roof Capping Rail 3000mm (A7)**

Finally attach the 2 temporary 2x2 1M supports to the front and rear of the roof as shown opposite.

Temporary roof supports fitted to front and rear of roof for support during construction

All images are for illustration only, Please see individual item listings for actual item specifications

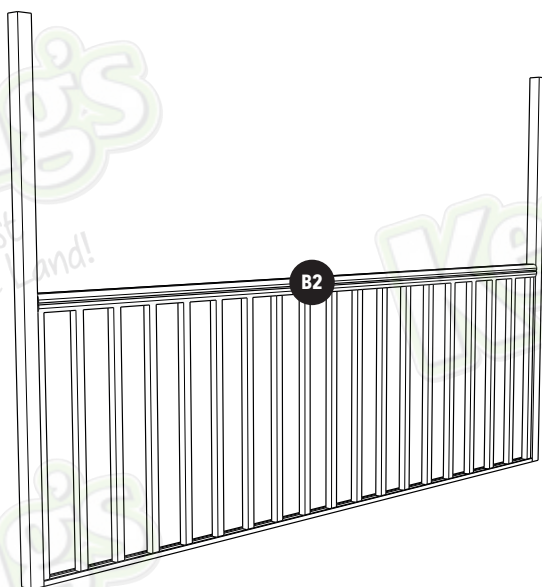
Step 2 - Assembling the Side Panels

Start by evenly spacing **18 Handrail Spindles (B3)** and fixing on to two of the **Hand / Baserail 2765mm (B2)** screwing through the top and bottom into each spindle using 40mm screws.

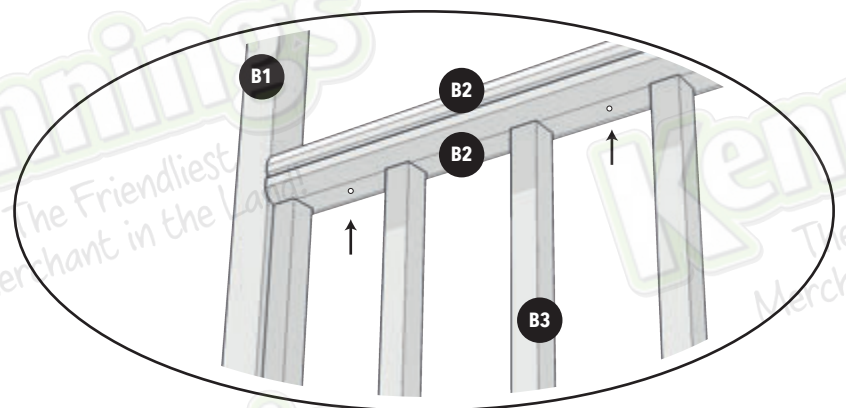
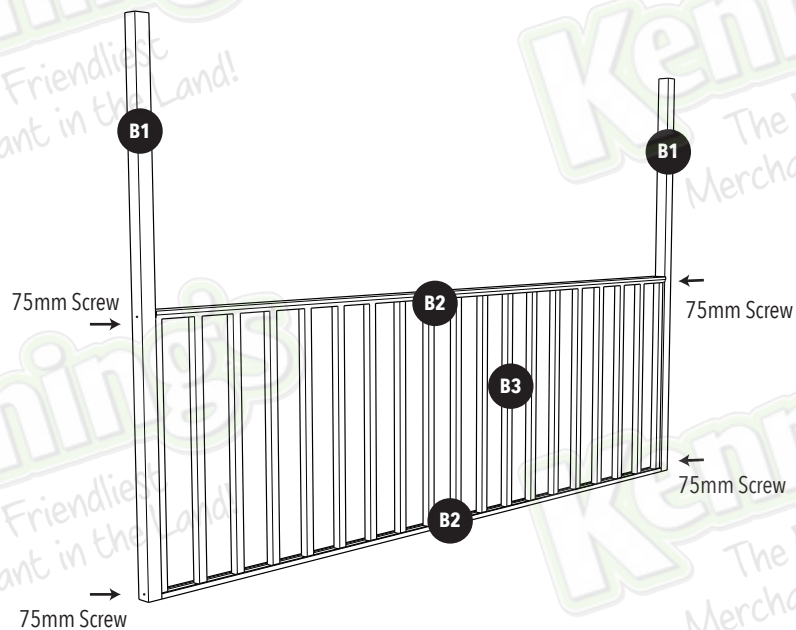
2 x 40mm screws per spindle
1 at the top & 1 at the bottom



Attach the remaining **Hand / Baserail 2765mm (B2)** to the top of the handrail system by screwing from the underside of the already fitted **Hand / Baserail 2765mm (B2)**



Now take two of the **2x2 Vertical Framing 1810mm (B1)** and screw them to each side of handrail previously built with 75mm screws as indicated in the diagram below.

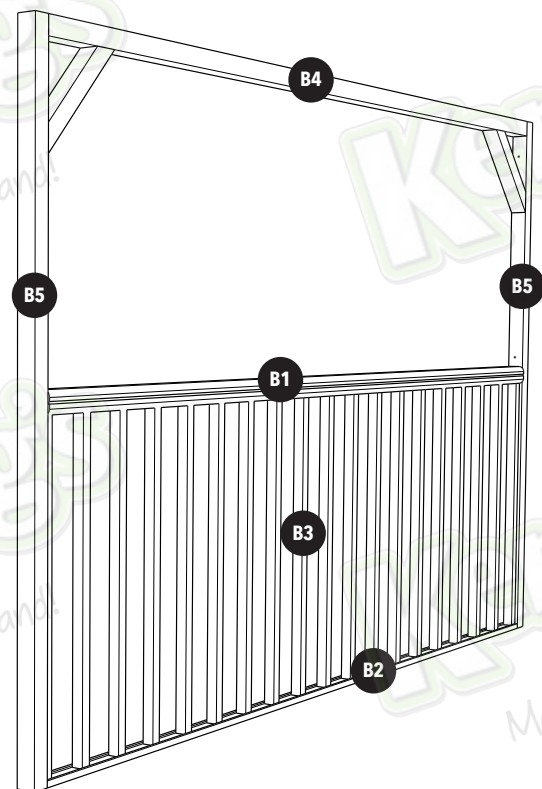
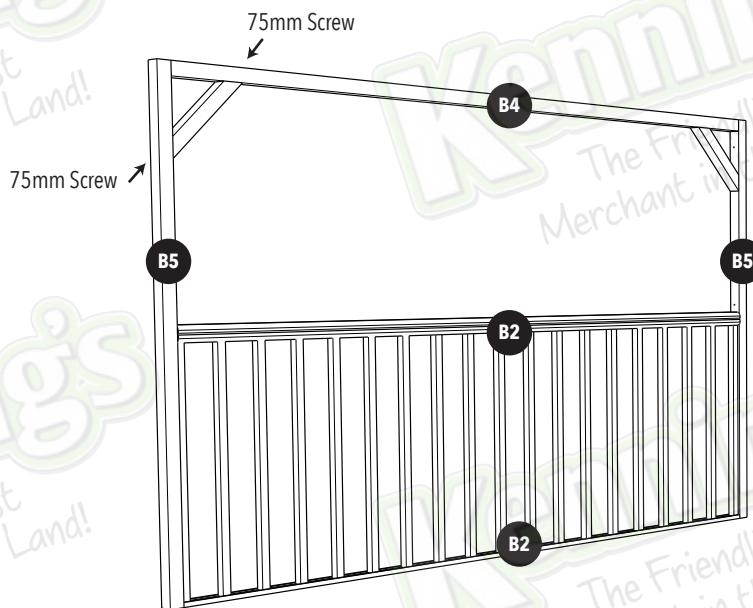


Screw into the handrail from the underside of the handrail (B2) using 40mm screws, as indicated in the diagram above

Step 2 Cont'd - Assembling the Side Panels

Fix one **2x2 Horizontal Framing 2765mm (B4)** in between the top of the vertical framing making a flush finish. Use 2 x 75mm screws at each end.

Using two of the **2x2 Braces 380mm (B5)** screw these using 75mm screws from the outside of the frame to each top corner of the panel.



Repeat the above for the second side panel.

Step 3 - Assembling the Rear Panel

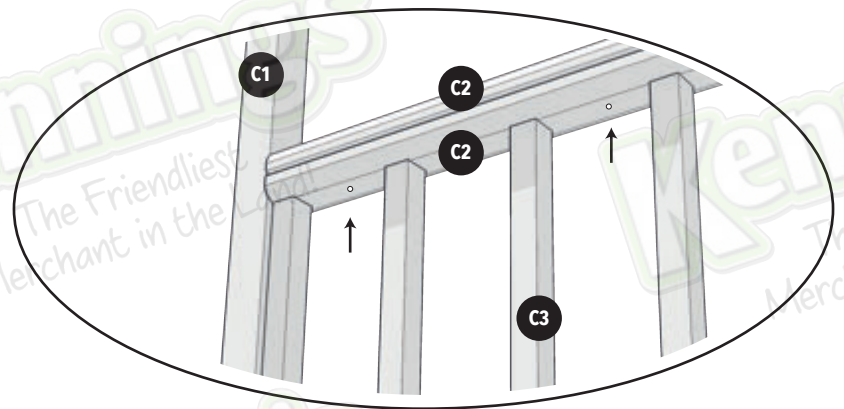
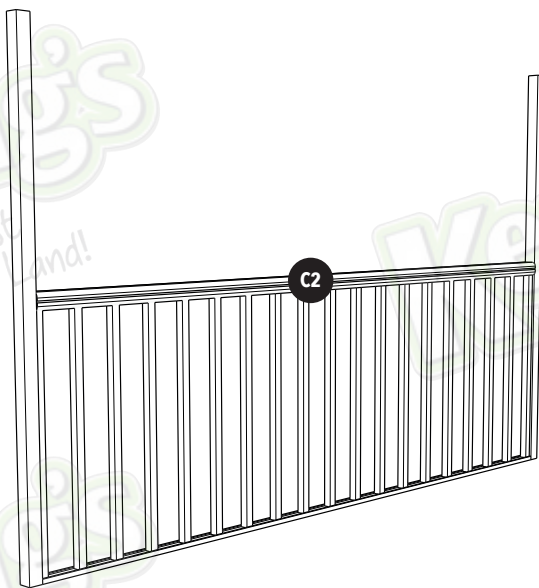
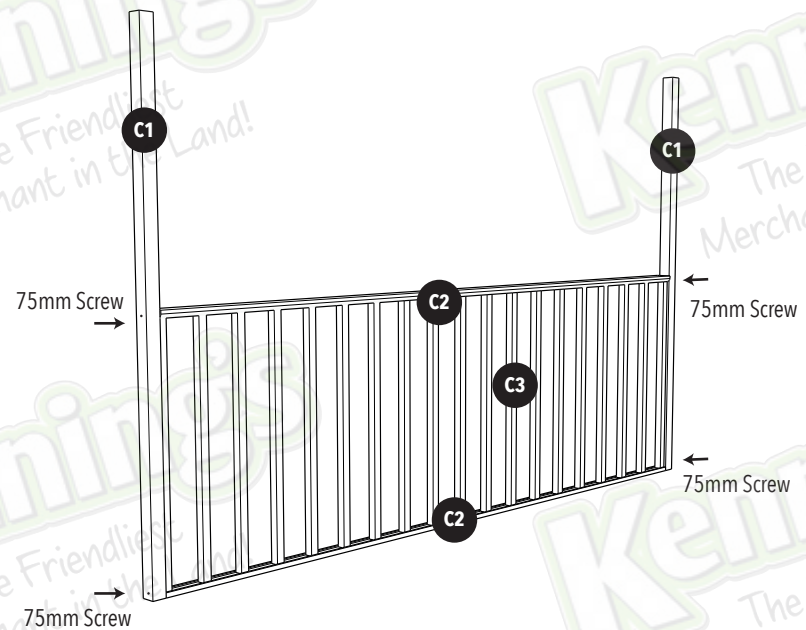
Start by evenly spacing **18 Handrail Spindles (C3)** and fixing on to two of the **Hand / Baserail 2765mm (C2)** screwing through the top and bottom into each spindle using 40mm screws.

2 x 40mm screws per spindle
1 at the top & 1 at the bottom



Attach the remaining **Hand / Baserail 2765mm (C2)** to the top of the handrail system by screwing from the underside of the already fitted **Hand / Baserail 2765mm (C2)**

Now take two of the **2x2 Vertical Framing 1810mm (C1)** and screw them to each side of handrail previously built as indicated in the diagram below.



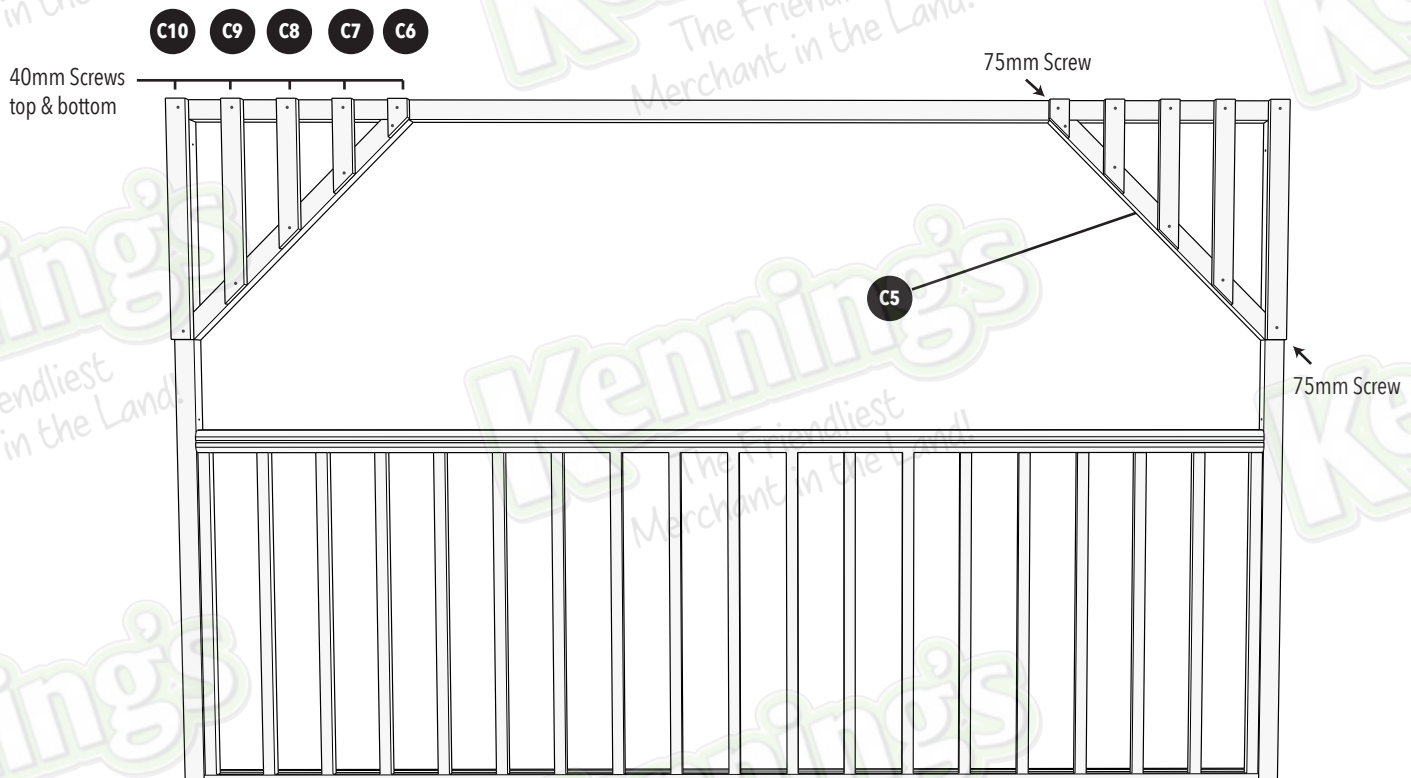
Screw into the handrail from the underside of the handrail (C2) using 40mm screws, as indicated in the diagram above

Step 3 Cont'd - Assembling the Rear Panel

Fix one **2x2 Horizontal Framing 2765mm (C4)** in between the top of the vertical framing making a flush finish.



Using the two **2x2 Braces 815mm (C5)** screw these to each top corner of the panel using 75mm screws as shown below for each brace. Finally, add the **2x1 Decorative Framing (C6 - C10)** starting with the longest length on the outside ending with the shortest length on the inside, using 40mm screws at the top and bottom through to the frame.



Panel from outside

All images are for illustration only, Please see individual item listings for actual item specifications

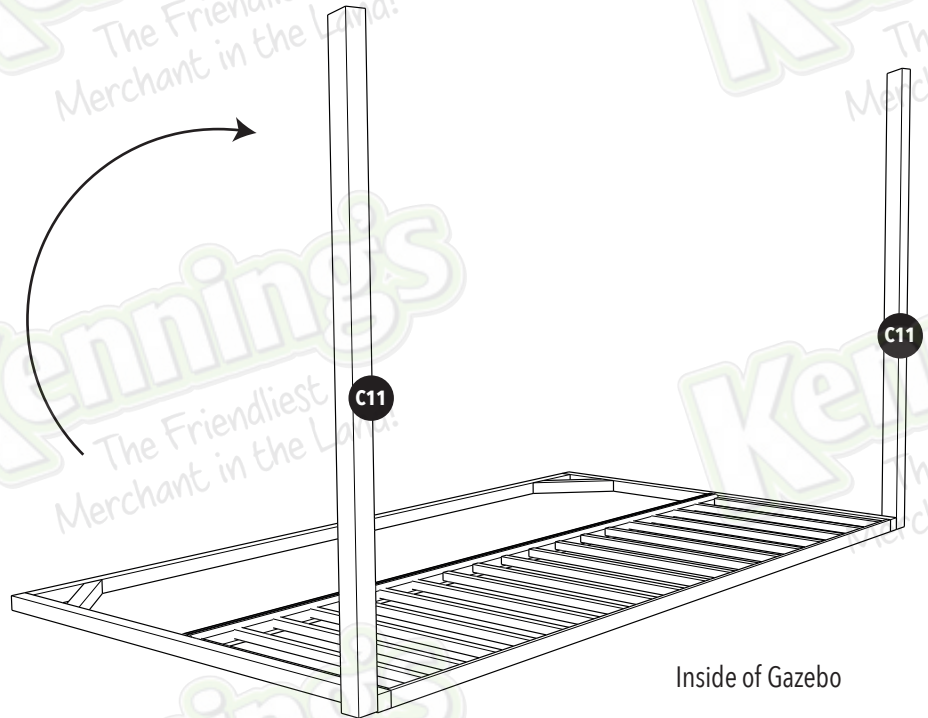
Step 4 - Support Posts

When fitting Option A - the support posts 2400mm will be required to be bedded into the ground 480mm.

For all options A, B & C make sure there is a 45mm gap from the lowest point of the angle on the top of the posts to the top of the side / rear panel (See diagram **A** below)

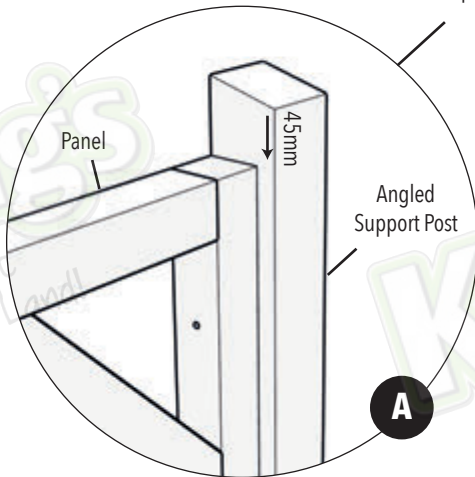
Start by placing one side panel flat on the floor in your desired location for the Gazebo now place a **Support Post (C11)** at each side of the panel making sure flush with the panel, you will then need one or two people to lift and hold the panel so its vertical and can be secured to the support post do this using 75mm screws as indicated in the diagram below to secure the panels onto the support posts.

Remember to take consideration of the space around you for the full structure.



Fit the panels 45mm down from the lowest point of the angle on the top of support posts

Use 75mm Screws as indicated to secure the panel onto the support posts



The top of each support post is angled to follow the shape of the apex roof, please correctly face all profiles of the posts for the roof to be securely fitted later.

Step 4 Cont'd - Support Posts

Repeat the process for the rear panel and the remaining side panel.



Step 5 - Fastening the Apex Roof

Lift the roof above the gazebo and rest it in place in between the posts, on top of the horizontal framing and screw in place using 75mm screws as indicated in the diagram to secure the roof to the frame.

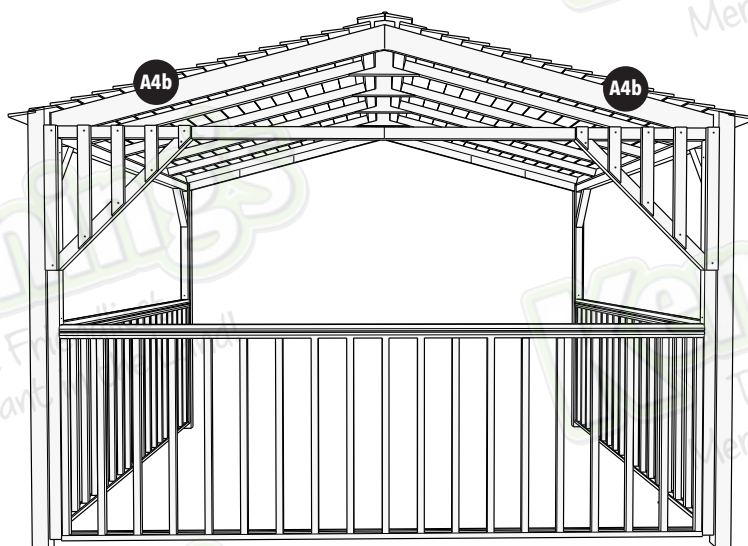
Once the roof is secured in place you can remove the temporary front and rear roof supports fitted at Step 1 and move onto steps below.

Add the 2 **4x1 Roof Fascias (A4a)** using 6 x 40mm screws to the front of the Gazebo, 3 screws per fascia.

Add the 2 **4x1 Roof Fascias (A4b)** to the back of the Gazebo, using 6 x 40mm screws, 3 screws per fascia.

Please note. The roof fascias may need trimming slightly prior to fitting.

Add the **Diamond Centre Piece (A6)** using 2 x 75mm screws.



Step 6 - Adding roof supports, front roof braces & handrail support blocks.



Fix into position the front roof support - **A8** using 2 x 75mm screws at each end of the support from the inside of the Gazebo, 4 x 75mm screws in total.

Fix into position **A9** roof supports, one at the rear and 2 in the middle as shown on diagram above by screwing up through the support into the roof framing with 1 screw at either end. 6 x 75mm screws in total.

Add the 2 front roof braces **A10** again using 2 x 75 mm screws at either end of the brace into the Gazebo framing. 4 x 75mm screws in total.

Finally position and fix into place the 9 **A11** handrail support blocks (size may differ depending what option you chose) do so by screwing into the block from the top of the baserail, make sure these are equally spaced with 2 at either end and one in the middle for each of the 3 sides as shown above. Using 2 x 40mm screws for each block.

Atlas Gazebo Fitting Instructions 3.0M

Finish

